

WitJack Gigabit T12 RJ-101C04E

Witmag

TEL: +86 755 36921672 FAX: +86 755 61351598
 Http://www.witmag.com.cn Http://www.witmag.cn
 E-mail:sales@witmag.com.cn

Features

Description:

- ◆ 10/100/1000 Base-TX RJ45 single port(1X1) Tab-UP with or without LEDs integrated magnetics connector (ICM), designed to support applications, such as Network Interface Cards (NIC), LAN-on Motherboard (LOM), and PC applications.

Features and Benefits:

- ◆ Single port Tab-UP with internal magnetics for 10/100/1000 Base-TX
- ◆ Available with or without LEDs
- ◆ Suitable for CAT 5 and 6 Fast Ethernet cable or better UTP
- ◆ Internal magnetics are 100% electrically tested for HI-POT and functionality

Electrical Performance Summary:

- ◆ Internal magnetics options available
- ◆ Meets or exceeds IEEE 802.3ab standard for 1000Base-T
- ◆ 350 uH minimum OCL with 8 mA bias current
- ◆ High performance for maximum EMI suppression
- ◆ Minimum 1500 Vrms isolation per IEEE 802.3 requirement
- ◆ DC CURRENT/VOLTAGE RATING-PSE PINS: 720mA @57V(CONTINUOUS)

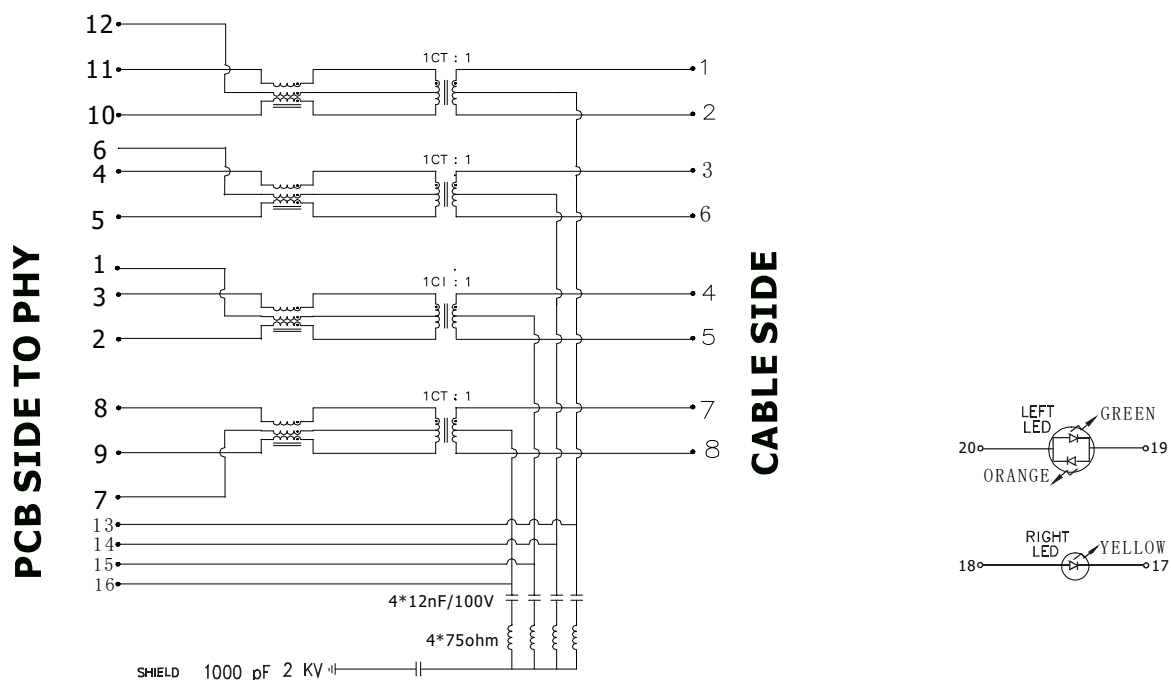
SPEC

Electrical Specifications @25°C - Operating Temperature 0°C to 70°C

Part Number	Tab Option	LEDs L/R	Insertion Loss (dB TYP)				Return Loss (dB MIN)			Crosstalk (dB TYP)			Common Mode Rejection (dB TYP)		Hipot (Vrms)
			1~100 MHz	1~10 MHz	30 MHz	60~80 MHz	100 Ω ±15 Ω	1~10 MHz	32~65 MHz	65~100 MHz	1~125 MHz	125~500 MHz	@60 Hz		
RJ-101C04E	UP	G&O/Y	-1.0	-20	-16	-12	-40	-35	-30	-30	-20	1500			

- NOTE: 1. Both transmit and receive channels meet IEEE 802.3 specifications
 2. Different electrical and mechanical specifications can be accommodated
 3. LEDs Left/Right: G=green, Y=yellow, Y-G=Bicolor

Schematics

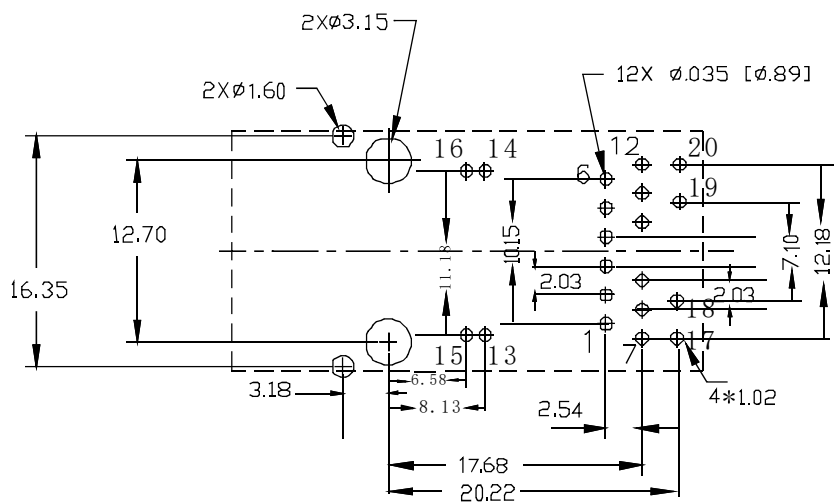
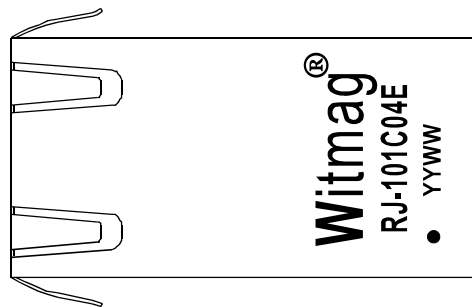
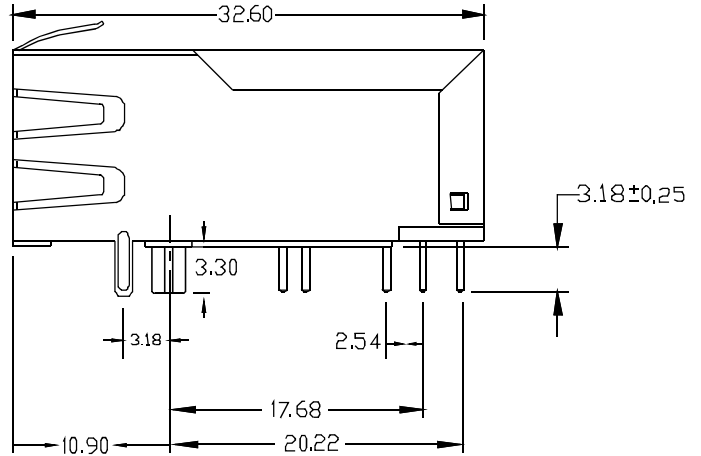
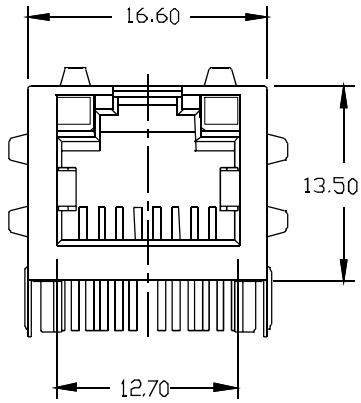


**WitJack
Gigabit T12
RJ-101C04E**

Mechanicals

Witmag

TEL: +86 755 36921672 FAX: +86 755 61351598
Http://www.witmag.com.cn Http://www.witmag.cn
E-mail:sales@witmag.com.cn



SUGGESTED PCB BOARD LAYOUT VIEWED FROM COMPONENT SIDE
PCB LAYOUT DIMENSIONS TO BE ±0.03 UNLESS OTHERWISE SPECIFIED

ALL DIMENSION TOLERANCD ARE +0.25mm
UNLESS OTHERWISE SPECIFIED