

**WitJack**  
**1X2 Tab-Down RJ45**  
**RJ-10201M**

**Witmag**

TEL: +86 755 36921672 FAX: +86 755 29454863  
 Http://www.witmag.com.cn Http://www.witmag.cn  
 E-mail:sales@witmag.com.cn

**Features**

**Description:**

- 10/100 Base-TX RJ45 1XN Tab-DOWN with or without LEDs integrated magnetics connector(ICM), designed to support applications, such as SOHO (ADSL modems), LAN-on-Motherboard(LOM), Hub and Switches.

**Features and Benefites:**

- RJ45 1XN, Tab-DOWN 8-pin with internal magnetics
- Options: 1X2 for 10/100 Base-TX
- Available with or without LEDs
- Suitable for CAT 5 and 6 Fast Ethernet cable or better UTP
- Internal magnetics are 100% electrically tested for HI-POT and functionality

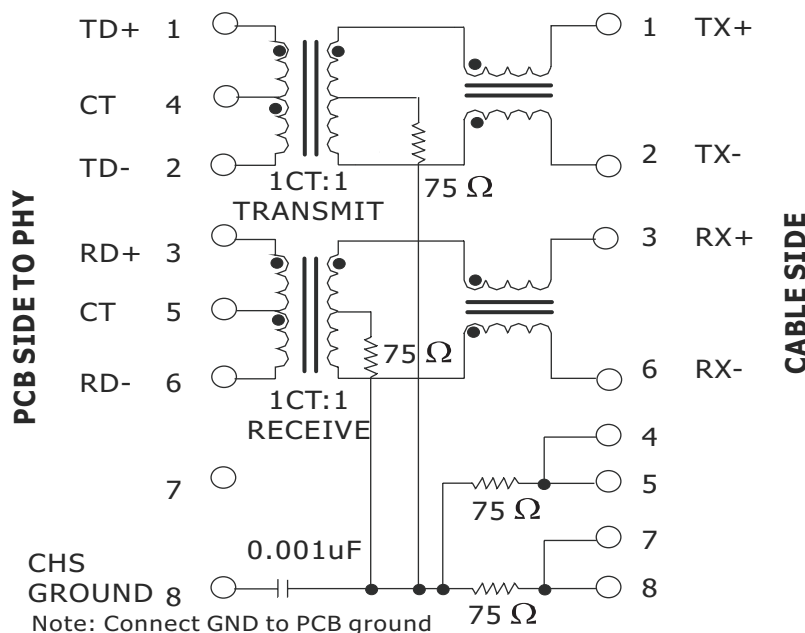
**Electrical Performance Summary:**

- Internal magnetics options available
- Meets or exceeds IEEE 802.3ab standard for 10/100Base-T
- 350 uH minimum OCL with 8 mA bias current
- High performance for maximum EMI suppression
- Minimum 1800 VDC isolation per IEEE 802.3 requirement

SPEC		Electrical Specifications @25°C - Operating Temperature 0°C to 70°C												
Part Number	Turns Ratio		EMI Fingers	LEDs L/R	Insertion Loss (dB TYP)	Return Loss (dB TYP)				Crosstalk (dB TYP)			Common Mode Rejection (dB TYP)	Hipot (Vrms)
	TX	RX				1~100 MHz	1~10 MHz	30 MHz	60~80 MHz	1~10 MHz	30~60 MHz	60~100 MHz		
RJ-10201M	1CT:1CT	1CT:1CT	N/A	N/A	-1.0	-20	-16	-12	-40	-35	-30	-30	-20	1800DC

NOTE: 1. Both transmit and receive channels meet IEEE 802.3 specifications  
 2. Different electrical and mechanical specifications can be accommodated  
 3. LEDs Left/Right: G=green, Y=yellow, '-'=none, Other LED options by request

**Schematic**

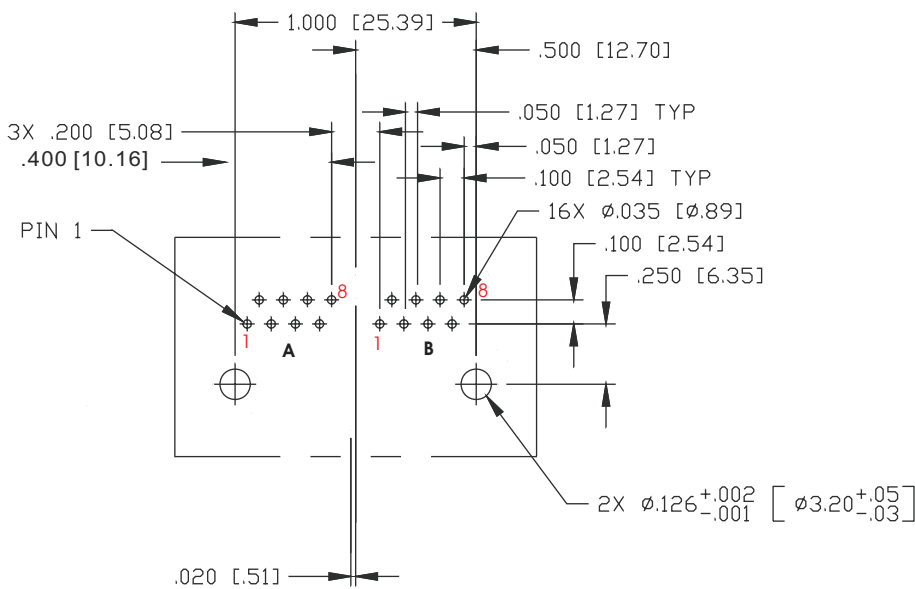
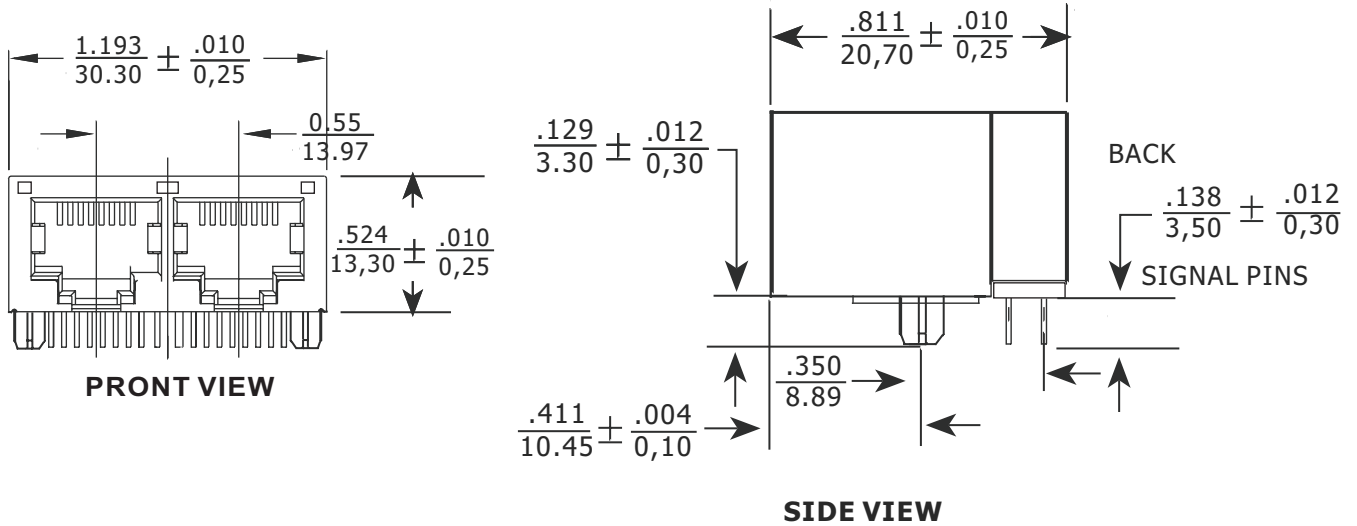


**WitJack**  
**1X2 Tab-Down RJ45**  
**RJ-10201M**

**Mechanicals**

**Witmag**

TEL: +86 755 36921672 FAX: +86 755 29454863  
 Http://www.witmag.com.cn Http://www.witmag.cn  
 E-mail:sales@witmag.com.cn



P. C. B RECOMMENDED HOLE LAYOUT SEEN FROM COMPONENT SIDE.  
 ALL CENTERLINE DIMENSIONS ARE BASIC

**UNIT:mm / inch**

**TOLERANCES UNLESS OTHERWISE SPECIFIED:**

$0 \sim 0.393 \pm 0.004$  ,  $0.393 \sim 0.787 \pm 0.006$  ,  $0.394 \sim 1.969 \pm 0.010$   
 $0 \sim 10.00 \pm 0.100$  ,  $10.00 \sim 20.00 \pm 0.150$  ,  $20.00 \sim 50.00 \pm 0.250$