

WitJack
1X1 Tab-Up RJ45
RJ-180G50B

Witmag

TEL: +86 755 36921672 FAX: +86 755 29454863
 Http://www.witmag.com.cn Http://www.witmag.cn
 E-mail:sales@witmag.com.cn

Features

Description:

- ✦ 10/100/1000 Base-TX RJ45 single port(1X1) Tab-Up with or without LEDs integrated magnetics connector (ICM), designed to support applications, such as Network Interface Cards (NIC), LAN-on Motherboard (LOM), and PC applications.

Features and Benefits:

- ✦ Single port Tab-Up with internal magnetics for 10/100/1000 Base-TX
- ✦ Available with or without LEDs
- ✦ Suitable for CAT 5 and 6 Fast Ethernet cable or better UTP
- ✦ Internal magnetics are 100% electrically tested for HI-POT and functionality

Electrical Performance Summary:

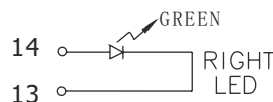
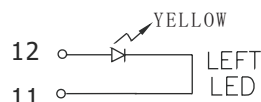
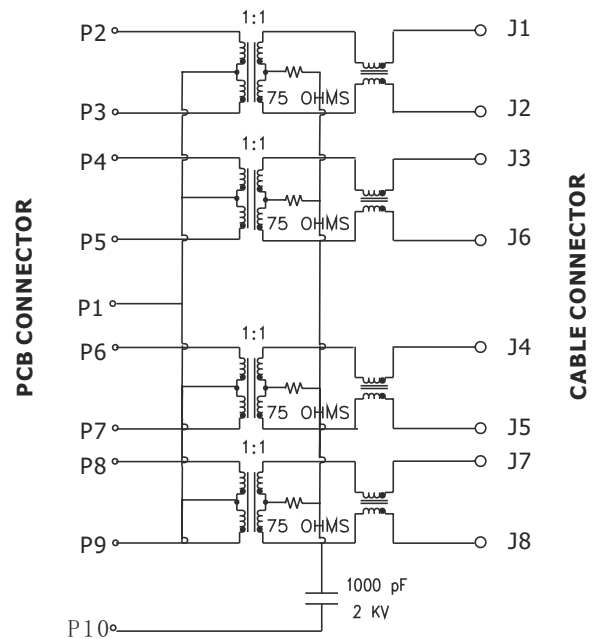
- ✦ Internal magnetics options available
- ✦ Meets or exceeds IEEE 802.3ab standard for 1000Base-T
- ✦ 350 uH minimum OCL with 8 mA bias current
- ✦ High performance for maximum EMI suppression
- ✦ Minimum DC 1800 Vrms isolation per IEEE 802.3 requirement

SPEC

Electrical Specifications @25°C - Operating Temperature 0°C to 70°C

1. TR: (50KHz, 1V) ;
 (P2-P3) : (J1-J2)=1:1 ± 3%
 (P4-P5) : (J3-J6)=1:1 ± 3%
 (P6-P7) : (J4-J5)=1:1 ± 3%
 (P8-P9) : (J7-J8)=1:1 ± 3%
2. LX: (100KHz, 0. 1V, 8mA, DC Bias)
 PINS: (P2-P3)=350uH MINIMUM
 PINS: (P4-P5)=350uH MINIMUM
 PINS: (P6-P7)=350uH MINIMUM
 PINS: (P8-P9)=350uH MINIMUM
3. DCR: 1.5 OHMS MAXIMUM
4. HIPOT:
 PINS: (P2, P3... P9) TO (J1, J2... J8)
 =1500VAC FOR 60 SECONDS
5. INSERTION LOSS:
 -1.0dB MAXIMUM AT 0. 1MHz TO 100MHz;
6. RETURN LOSS:
 -20dB MINIMUM AT 1MHz TO 30MHz;
 -16dB MINIMUM AT 30MHz TO 60MHz;
 -12dB MINIMUM AT 60MHz TO 80MHz;
 -10dB MINIMUM AT 80MHz TO 100MHz;
7. CROSS TALK:
 -40dB MINIMUM AT 1MHz TO 30MHz
 -35dB MINIMUM AT 3MHz TO 60MHz
 -30dB MINIMUM AT 60MHz TO 100MHz
8. COMMON MODE REJECTION:
 -30dB MINIMUM AT 1MHz TO 100MHz

Schematics

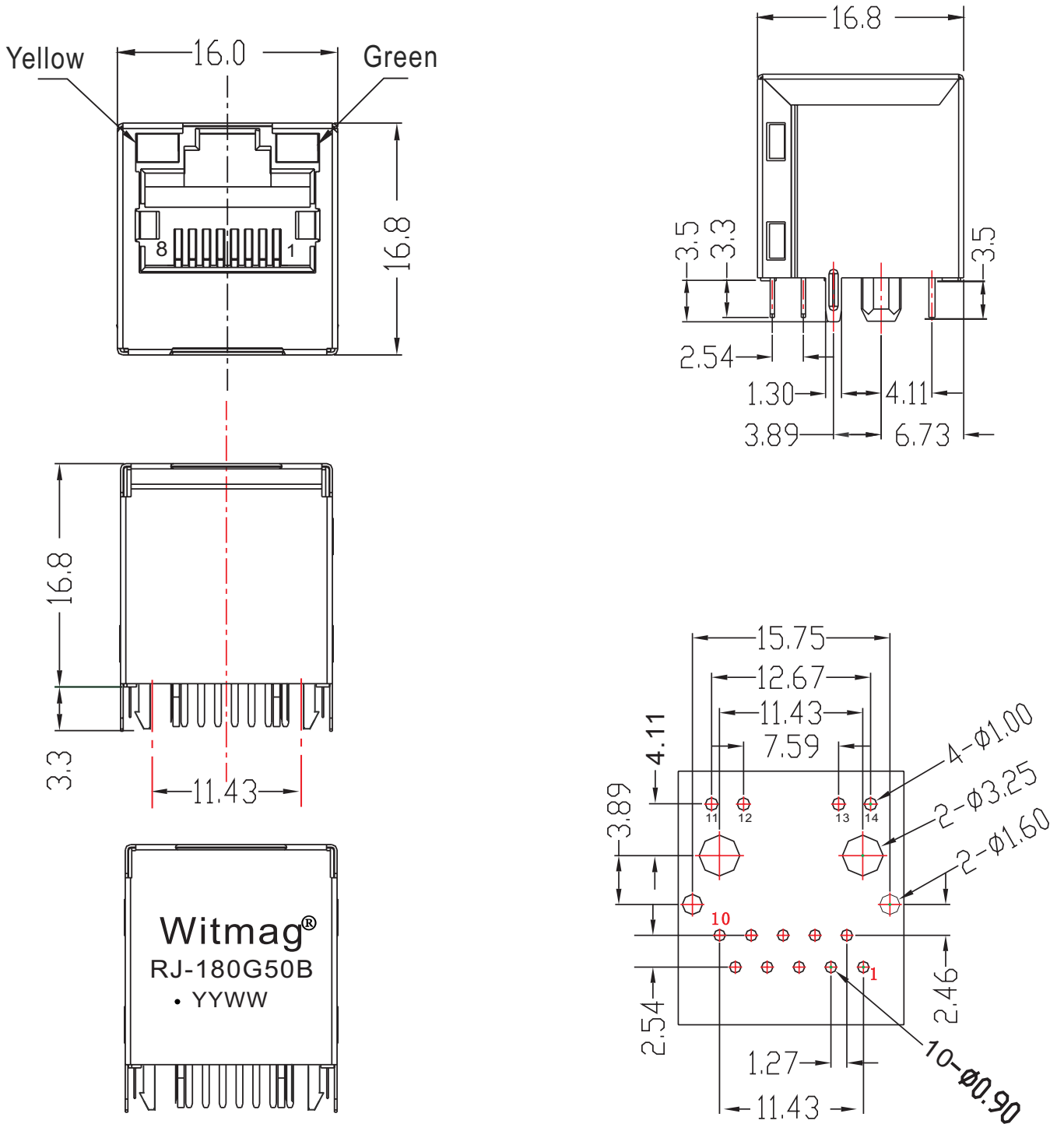


WitJack
1X1 Tab-Up RJ45
RJ-180G50B

Mechanicals

Witmag

TEL: +86 755 36921672 FAX: +86 755 29454863
 Http://www.witmag.com.cn Http://www.witmag.cn
 E-mail:sales@witmag.com.cn

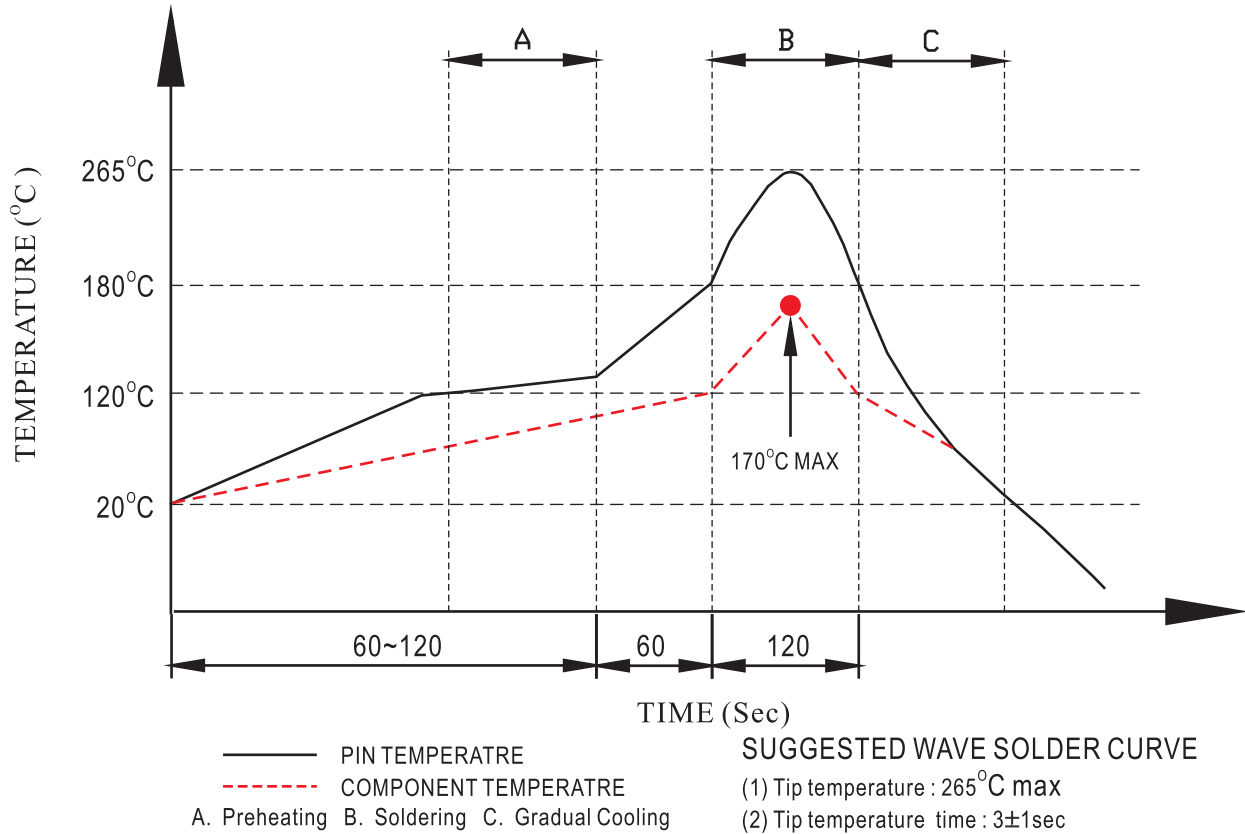


Units: mm

TOLERANCE DECIMALS: .X \pm 0.25;

.XX \pm 0.15; .XXX \pm 0.05

Profile of wave solder



*The melting point of Sn99.3/Cu0.7

REQUIREMENTS

◆ Material

- ◇ Terminal Parts(Underphating:30u" min. Nickel overall)
 - RJ Terminal: PH. Bronze, Thickness=0.3mm, Finish: Contact Area: 6u" Gold
 - Input Terminal: Brass, Thickness=0.35mm, Finish: 100u" min. Mt. Tin
 - Case Terminal: Brass, Thickness=0.3mm, Finish: 100u" min. Tin
- ◇ Plastic Parts<UL94V-0>
 - Housing: Thermoplastic, Black
 - Case: Thermoplastic, Black
 - Spacer: Thermoplastic, Black
 - Light Pipe: Thermoplastic, Black
- ◇ Shield Parts
 - Front Shield: Stainless, Thickness=0.2mm, unplating
 - Back Shield: Stainless, Thickness=0.2mm, Pre-soldering

◆ Operating and Storage Temperature

- Operating Temperature: 0°C to +70°C
- Storage Temperature: -40°C to +85°C

◆ RJ45 Specifications

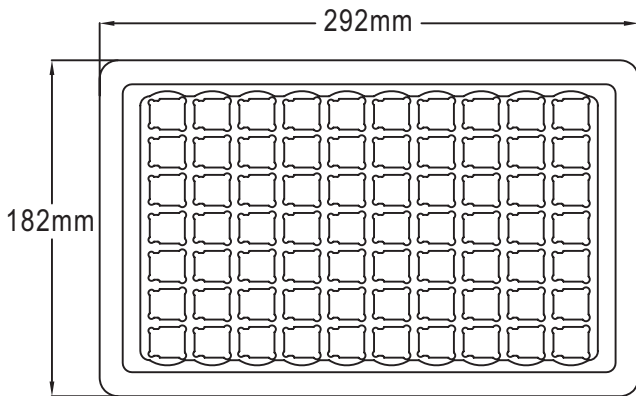
- Insulation Resistance 500MΩmin
- Insertion force with the latch depressed 22N max
- Removal force with the latch depressed 44N max
- Locking Force of Plug Latch: 50N min. @60±5 sec
- Durability: 750 cycles MIN

WitJack
1X1 Tab-Up RJ45
RJ-180G50B

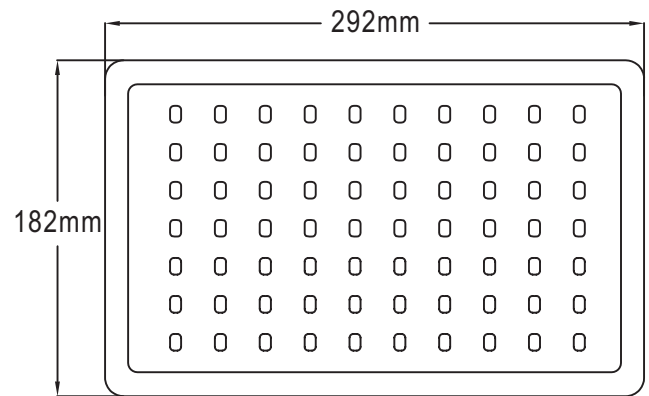
Packing

Witmag

TEL: +86 755 36921672 FAX: +86 755 29454863
Http: //www.witmag.com.cn Http: //www.witmag.cn
E-mail: sales@witmag.com.cn



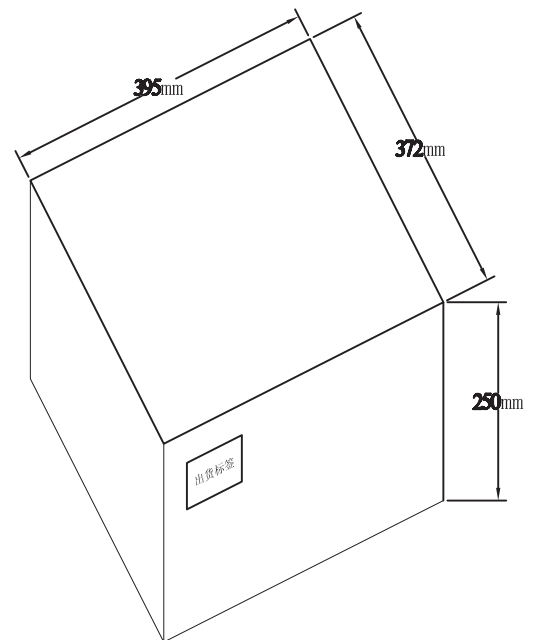
吸塑盘
每盘装产品7*10=70PCS



吸塑盖
每盘装好的产品
上盖一个吸塑盖



每箱: 70*20=1400PCS



每箱贴出货标签