

WITMAG

SPECIFICATION FOR APPROVAL

CUSTOMER _____

CUSTOMER'S PART NO. _____

DESCRIPTION RJ45 ICM(10/100M Base-T 1port)

WITMAG'S PART NO. RJ-180A02B REV. A

WITMAG'S OLD P/N _____

ISSUE NO. _____

ISSUE DATE. APR.28,2019

APPROVED

REJECTED

APPROVED UNDER
THE CONDITIONS:

Shenzhen Witmag Electronics Co.,Ltd

Add:5th Floor,B4 Buliding, Huafeng Guantian Science Park, Shiyan Street,
Baoan District, Shenzhen City

Tel: +86 755-36921672/36921673

FAX:+86 755-29454863

E-mail:sales@witmag.com.cn

Web:Http://www.witmag.com.cn

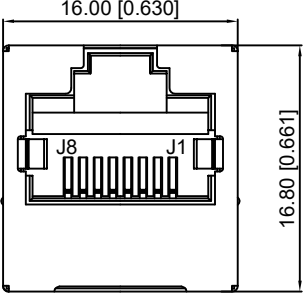
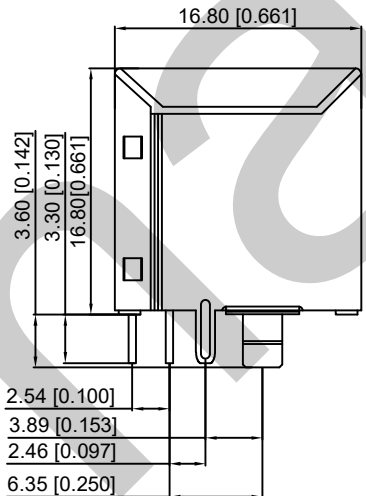
Http://www.witmag.cn

Note:

1. This specification is the proprietary of Shenzhen witmag Electronics Co.,Ltd and is not allowed to be revealed to third party without any written approval.
2. This specification is valid within 1 year before approval, and for any updated specification information required, please contact with Witmag's sales window before order releases.

WITMAG

SPECIFICATION FOR APPROVAL

CUSTOMER PART NO:		Rev.:A
WITMAG PART NO:RJ-180A02B		✓
PART NAME:RJ45 ICM(10/100M Base-T 1port)		ROHS
Mechanical Dimension and Notes		
◆ Mechanical Dimension		
		
Dimensions:mm[Inchs] Unless otherwise specified,All dimensions tolerance is $\pm 0.25[0.010]$		
◆ Note:		
<ol style="list-style-type: none">Connector material: Housing: PBT black UL94 V-0 Insert:PBT black UL94 V-0 Shield:Brass Shield plating:Nickel Contact:Cooper alloy Contact plating:selective gold,6 micro-inchs min in contact areaRJ45 cavities conform to FCC rules regulation part 68The part is recommended for wave soldering process peak soldering temperatures is 260°C max,5 secs maxOperating Temperature:0°C to +70°CStorage Temperature:-40°C to +85°C		
Drawn by	Designed by	Approved by
	HeWei	WangHaiping

WITMAG

SPECIFICATION FOR APPROVAL

CUSTOMER PART NO:	Rev.:A
WITMAG PART NO:RJ-180A02B	✓
PART NAME:RJ45 ICM(10/100M Base-T 1port)	ROHS

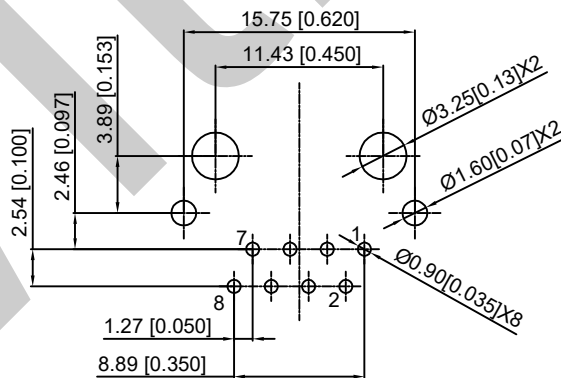
Labe and PWB Layout

◆ Labe

Plug In Side



◆ PWB Layout



Dimensions:mm[Inchs]

Unless otherwise specified,All dimensions tolerance is ± 0.25 [0.010]

Drawn by	Designed by	Approved by
	HeWei	WangHaiping

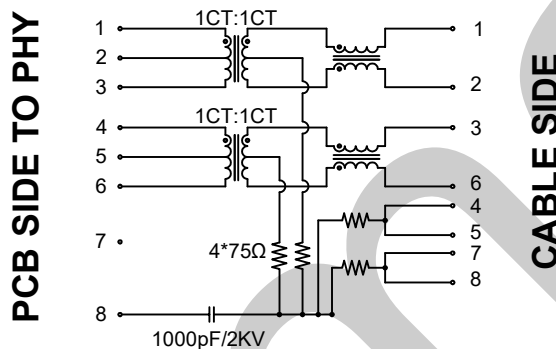
WITMAG

SPECIFICATION FOR APPROVAL

CUSTOMER PART NO: WITMAG PART NO:RJ-180A02B PART NAME:RJ45 ICM(10/100M Base-T 1port)	Rev.:A
	 ROHS

Circuit Schematic and Electrical Specifications

◆ Circuit Schematic



◆ Electrical Specifications

Turn Ratio	TX:RX=1:1±5%		
Primary Inductance (100KHz 0.1V 8mA DC Bias)	350μH MIN		
DC Resistance	1.5Ω MAX		
Insertion Loss	1-100MHz		
	-1.2 dB MAX		
Return Loss (100Ω±15Ω)	1-30MHz	30-60MHz	60-80MHz
	-18 dB MIN	-14 dB MIN	-10 dB MIN
Cross talk	1-100MHz		
	-30 dB MIN		
Common Mode Rejection	1-100MHz		
	-30 dB MIN		
Isolation Voltage (Input to Output)	1800VDC @1mA for 2 sec		

Drawn by	Designed by	Approved by
	HeWei	WangHaiping

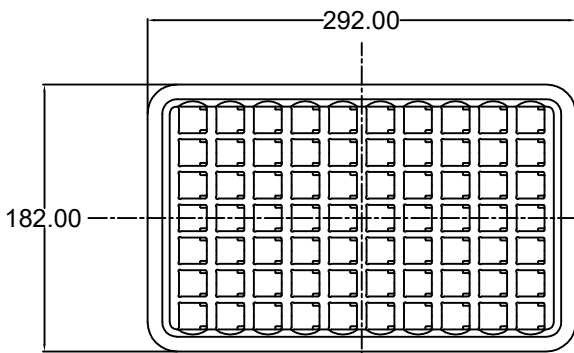
WITMAG

SPECIFICATION FOR APPROVAL

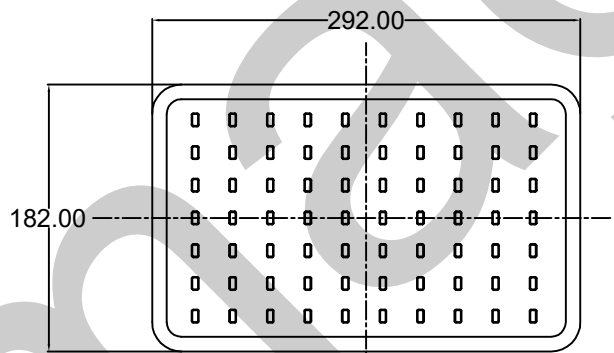
CUSTOMER PART NO: WITMAG PART NO:RJ-180A02B PART NAME:RJ45 ICM(10/100M Base-T 1port)	Rev.:A
	 ROHS

Peaking

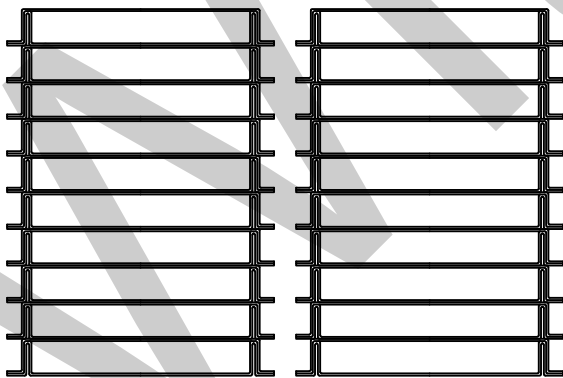
◆ Peaking



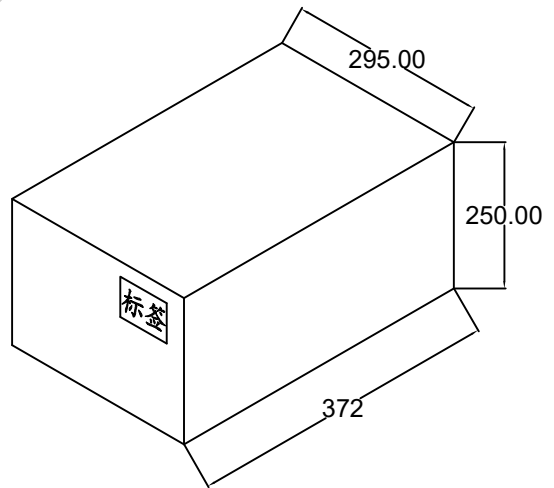
吸塑盘
每盘装产品7*10=70 (PCS)



吸塑盘盖
每吸塑盘盖一个吸塑盘盖



每箱产品数量
70 (PCS) *20 (盘)=1400 (PCS)



箱子规格

Drawn by	Designed by	Approved by
	HeWei	WangHaiping