

**WitJack**  
**1X2 Tab-Down RJ45**  
**RJ-102G01**

**Witmag**

TEL: +86 755 36921672 FAX: +86 755 29454863  
 Http://www.witmag.com.cn Http://www.witmag.cn  
 E-mail:sales@witmag.com.cn

**Features**

**Description:**

- ◆ 10/100/1000 Base-TX RJ45 1X2 Tab-DOWN with LEDs 8-pin(J0 series) integrated magnetics connector(ICM), designed to support applications, such as SOHO (ADSL modems), LAN-on-Motherboard(LOM), Hub and Switches.

**Features and Benefites:**

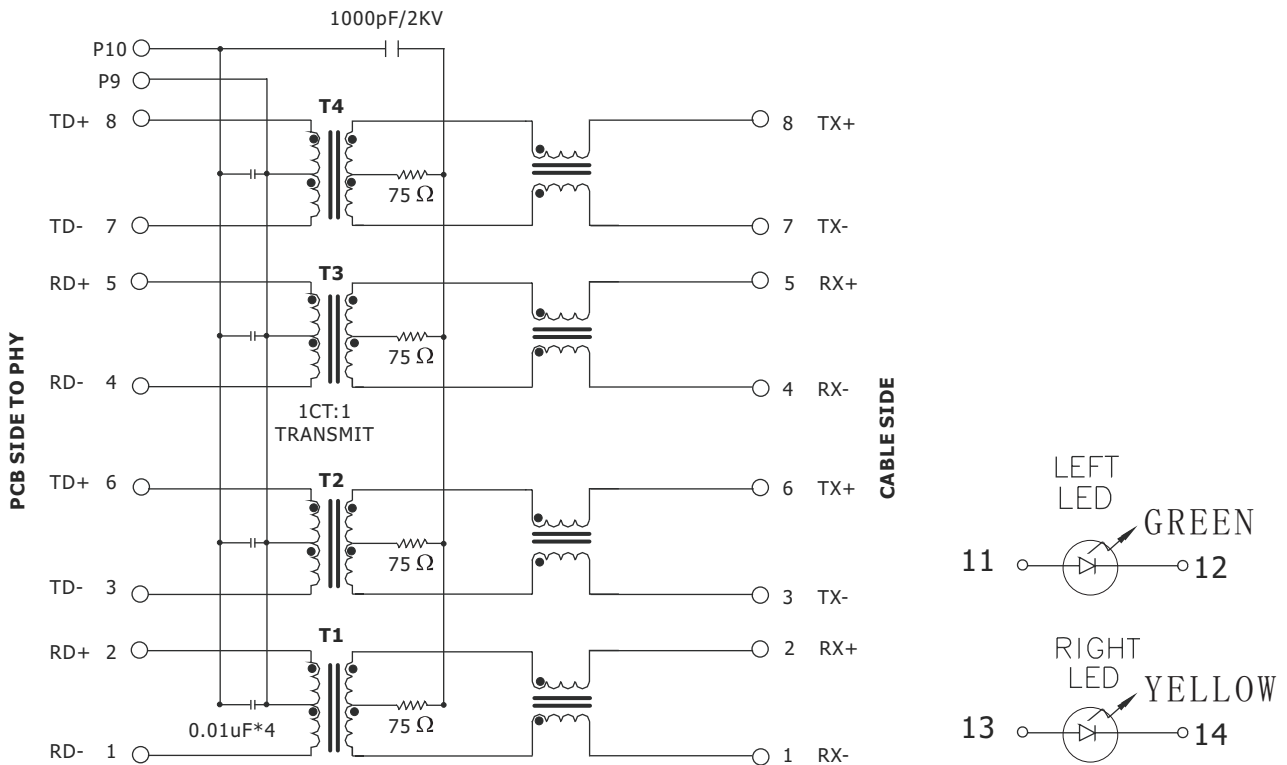
- ◆ 1X2 Tab-DOWN RJ45 with internal magnetics
- ◆ Suitable for CAT 5 & 6 Fast Ethernet Cable or better UTP
- ◆ Internal magnetics are 100% electrically tested for HI-POT and functionality

**Electrical Performance Summary:**

- ◆ Internal magnetics options available
- ◆ Meets or exceeds IEEE 802.3 standard for 1000Base-T
- ◆ 350 uH minimum OCL with 8 mA bias current
- ◆ High performance for maximum EMI suppression
- ◆ Minimum 1500 Vrms isolation per IEEE 802.3 requirement

SPEC		Electrical Specifications @25°C - Operating Temperature 0°C to 70°C														
Part Number	Turns Ratio		EMI Fingers	LEDs L/R	Insertion Loss (dB TYP)	Return Loss (dB TYP)					Crosstalk (dB TYP)			Common Mode Rejection (dB TYP)		Hipot (Vrms)
	TX	RX				1-65 MHz	1-10 MHz	10-30 MHz	30-60 MHz	60-80 MHz	1-30 MHz	30-60 MHz	60-100 MHz	1-50 MHz	50-150 MHz	
RJ-102G01	1CT:1	1CT:1	YES	G/Y	-1	-20	-16	-12	-10	-40	-35	-30	-30	-20	1500	

**Schematics**



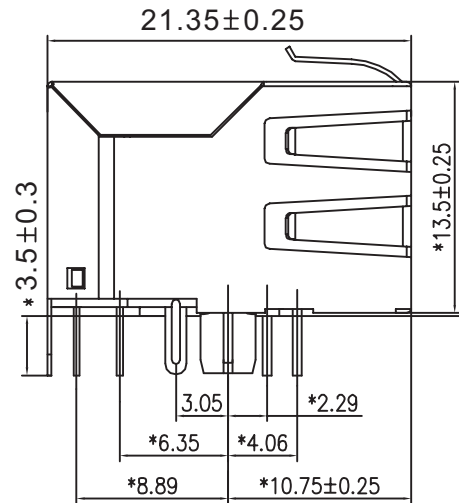
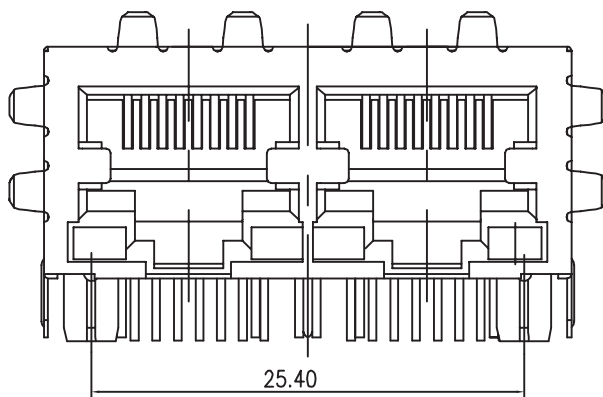
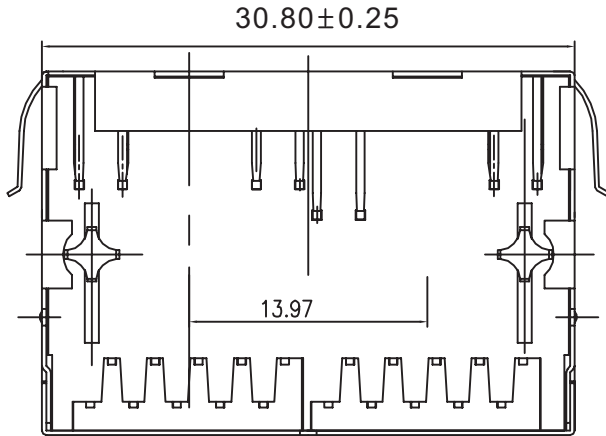
Note: Connect GND to PCB ground

**WitJack**  
**1X2 Tab-Down RJ45**  
**RJ-102G01**

**Mechanicals**

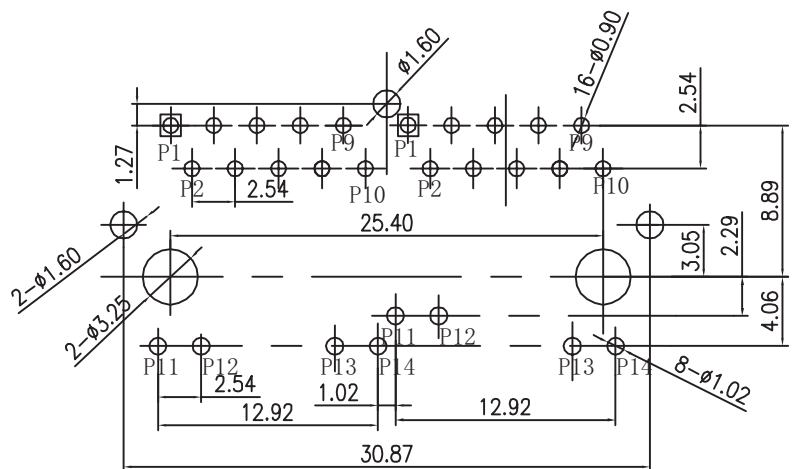
**Witmag**

TEL: +86 755 36921672 FAX: +86 755 29454863  
 Http://www.witmag.com.cn Http://www.witmag.cn  
 E-mail:sales@witmag.com.cn



LED SPECIFICATION			
STANDARD LED	WAVELENGTH	Forward V(max)	TYP
GREEN	565nm	2.4V	2.2V
YELLOW	590nm	2.5V	2.1V

\*WITH A FORWARD CURRENT OF 20mA

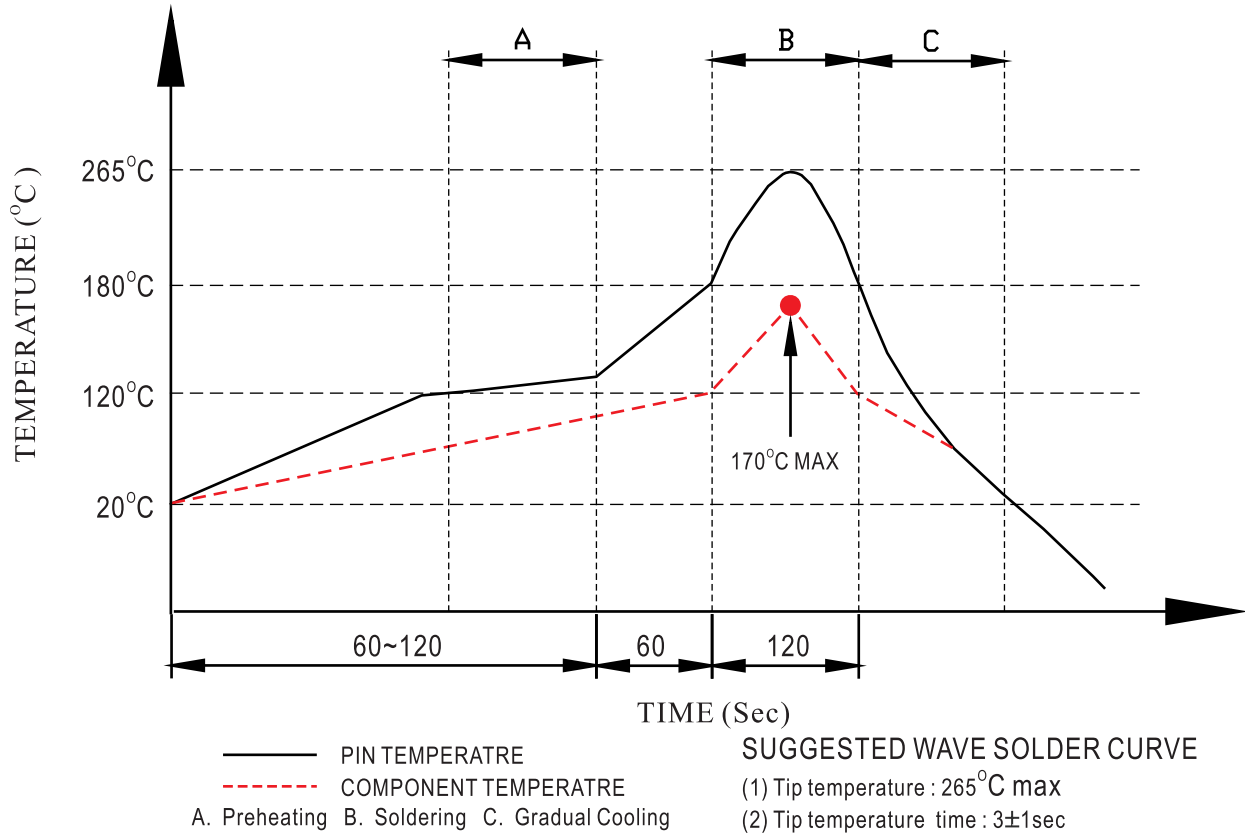


P. C. B RECOMMENDED HOLE LAYOUT SEEN FROM COMPONENT SIDE.

ALL CENTERLINE DIMENSIONS ARE BASIC

ALL DIMENSION TOLERANCD ARE  $+0.25$ mm  
 UNLESS OTHERWISE SPECIFIED

Profile of wave solder



\*The melting point of Sn99.3/Cu0.7

**REQUIREMENTS**

◆ Material

- ✧ Terminal Parts(Underphating:30u" min. Nickel overall)
  - RJ Terminal: PH. Bronze, Thickness=0.3mm, Finish: Contact Area: 6u" Gold
  - Input Terminal: Brass, Thickness=0.35mm, Finish: 100u" min. Mt. Tin
  - Case Terminal: Brass, Thickness=0.3mm, Finish: 100u" min. Tin
- ✧ Plastic Parts<UL94V-0>
  - Housing: Thermoplastic, Black
  - Case: Thermoplastic, Black
  - Spacer: Thermoplastic, Black
  - Light Pipe: Thermoplastic, Black
- ✧ Shield Parts
  - Front Shield: Stainless, Thickness=0.2mm, unplating
  - Back Shield: Stainless, Thickness=0.2mm, Pre-soldering

◆ Operating and Storage Temperature

- Operating Temperature: 0°C to +70°C
- Storage Temperature: -40°C to +85°C

◆ RJ45 Specifications

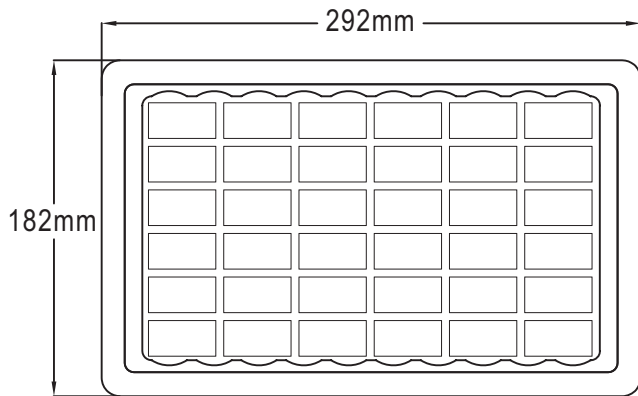
- Insulation Resistance 500MΩmin
- Insertion force with the latch depressed 22N max
- Removal force with the latch depressed 44N max
- Locking Force of Plug Latch: 50N min. @60±5 sec
- Durability: 750 cycles MIN

WitJack  
1X2 Tab-Down RJ45  
RJ-102G01

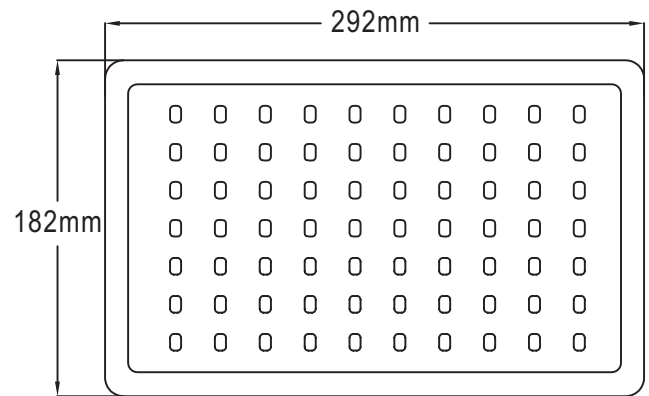
Packing

Witmag

TEL: +86 755 36921672 FAX: +86 755 29454863  
Http: //www.witmag.com.cn Http: //www.witmag.cn  
E-mail: sales@witmag.com.cn



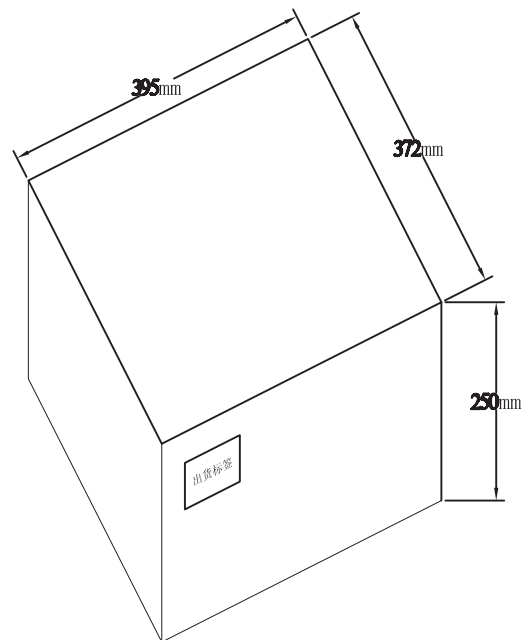
吸塑盘  
每盘装产品 $6*6=36$ PCS



吸塑盖  
每盘装好的产品  
上盖一个吸塑盖



每箱:  $36*20=720$ PCS



每箱贴出货标签