

WitJack Gigabit T12 RJ-101C04A

Witmag

TEL: +86 755 36921672 FAX: +86 755 29452863
 Http://www.witmag.com.cn Http://www.witmag.cn
 E-mail:sales@witmag.com.cn

Features

Description:

- ◆ 10/100/1000 Base-TX RJ45 single port(1X1) Tab-UP with or without LEDs integrated magnetics connector (ICM), designed to support applications, such as Network Interface Cards (NIC), LAN-on Motherboard (LOM), and PC applications.

Features and Benefits:

- ◆ Single port Tab-UP with internal magnetics for 10/100/1000 Base-TX
- ◆ Available with or without LEDs
- ◆ Suitable for CAT 5 and 6 Fast Ethernet cable or better UTP
- ◆ Internal magnetics are 100% electrically tested for HI-POT and functionality

Electrical Performance Summary:

- ◆ Internal magnetics options available
- ◆ Meets or exceeds IEEE 802.3ab standard for 1000Base-T
- ◆ 350 uH minimum OCL with 8 mA bias current
- ◆ High performance for maximum EMI suppression
- ◆ Minimum 1500 Vrms isolation per IEEE 802.3 requirement

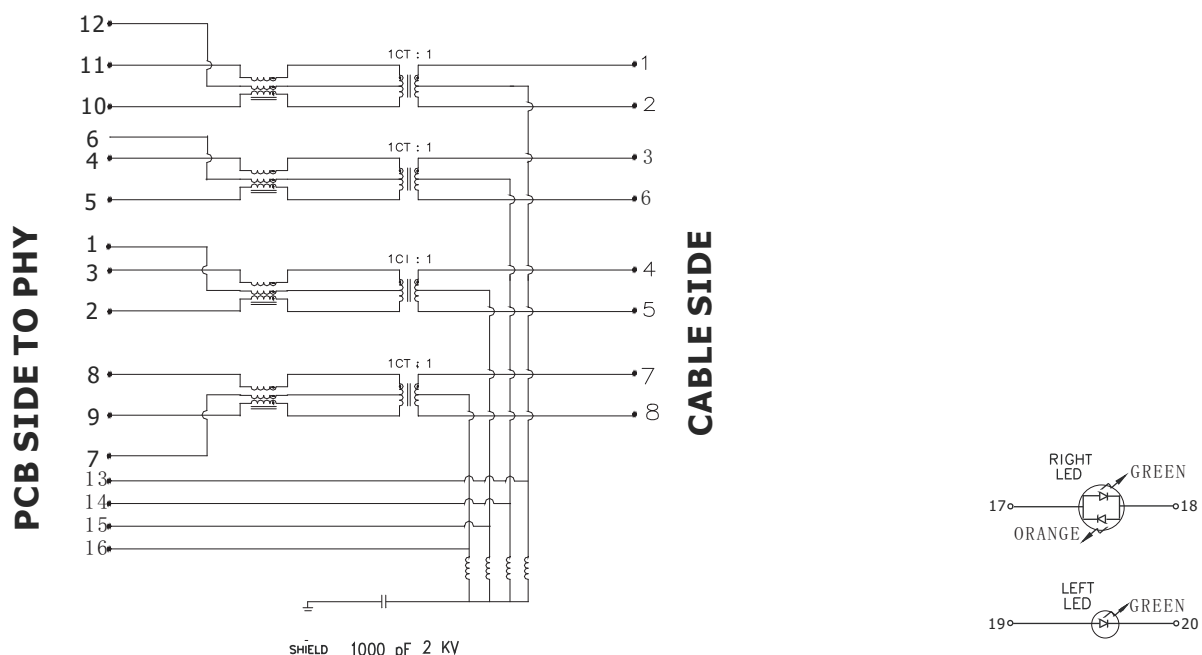
SPEC

Electrical Specifications @25°C - Operating Temperature 0°C to 70°C

| Part Number | Tab Option | LEDs L/R | Insertion Loss TX/RX (dB TYP) | | | | Return Loss (dB MIN) | | | Crosstalk (dB TYP) | | | Common Mode Rejection (dB TYP) | | Hipot (Vrms) @60 Hz |
|-------------|------------|----------|-------------------------------|----------|--------|-----------|----------------------|------|----------|--------------------|------------|-----------|--------------------------------|--|---------------------|
| | | | 1~100 MHz | 1~10 MHz | 30 MHz | 60~80 MHz | 100 Ω | 15 Ω | 1~10 MHz | 32~65 MHz | 65~100 MHz | 1~125 MHz | 125~500 MHz | | |
| RJ-101C04A | UP | G/ G&O | -1.0 | -20 | -16 | -12 | -40 | -35 | -30 | -30 | -20 | 1500 | | | |

- NOTE: 1. Both transmit and receive channels meet IEEE 802.3 specifications
 2. Different electrical and mechanical specifications can be accommodated
 3. LEDs Left/Right: G=green, Y=yellow, Y-G=Bicolor

Schematics

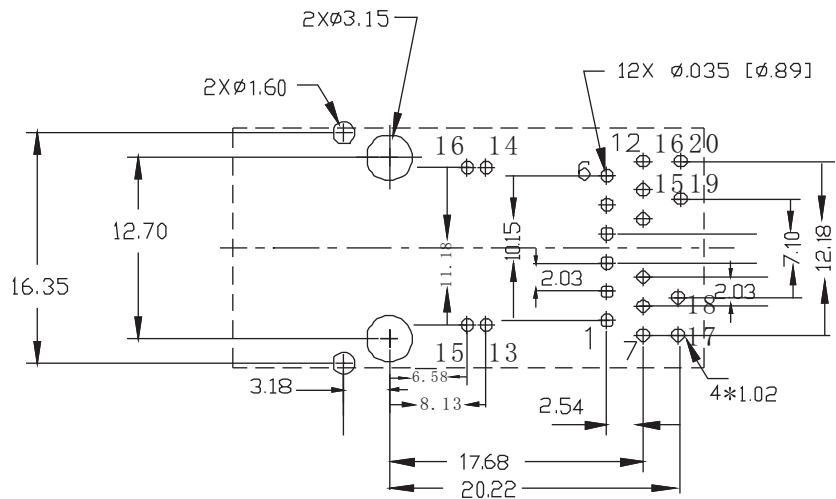
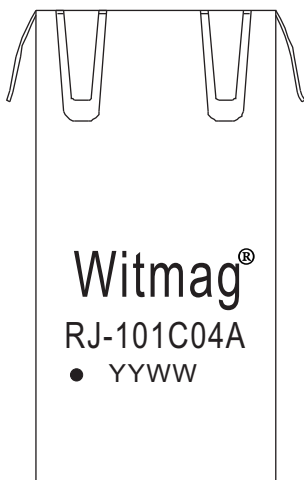
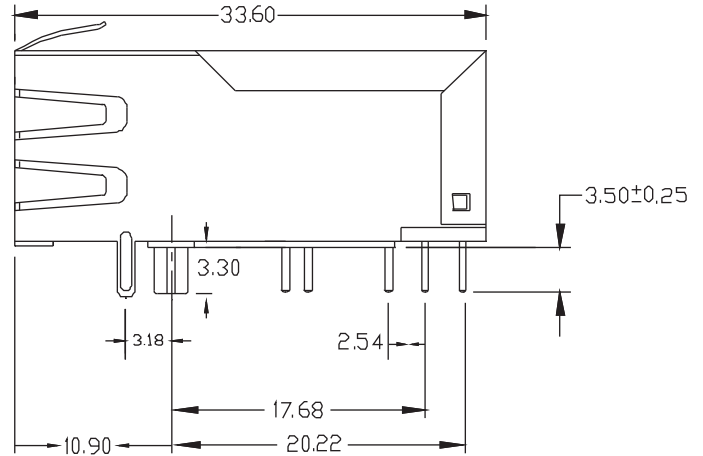
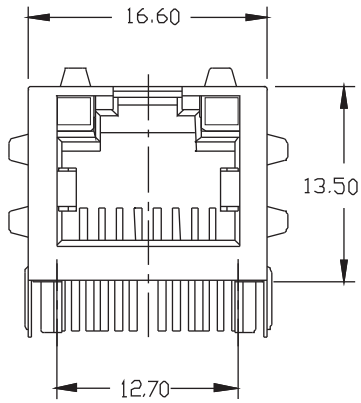


**WitJack
Gigabit T12
RJ-101C04A**

Mechanicals

Witmag

TEL: +86 755 36921672 FAX: +86 755 29452863
Http://www.witmag.com.cn Http://www.witmag.cn
E-mail:sales@witmag.com.cn



SUGGESTED PC BOARD LAYOUT VIEWED FROM COMPONENT SIDE
PCB LAYOUT DIMENSIONS TO BE ± 0.003 UNLESS OTHERWISE SPI

ALL DIMENSION TOLERANCD ARE +0.25mm
UNLESS OTHERWISE SPECIFIED