

**Features**

**Description:**

- ◆ 10/100 Base-TX RJ45 1X1 Tab-UP with LEDs 8-pin integrated magnetics connector(ICM), designed to support applications, such as SOHO (ADSL modems), LAN-on-Motherboard(LOM), Hub and Switches.

**Features and Benefits:**

- ◆ 1X1 Tab-UP RJ45 with internal magnetics
- ◆ Suitable for CAT 5 & 6 Fast Ethernet Cable or better UTP
- ◆ Internal magnetics are 100% electrically tested for HI-POT and functionality

**Electrical Performance Summary:**

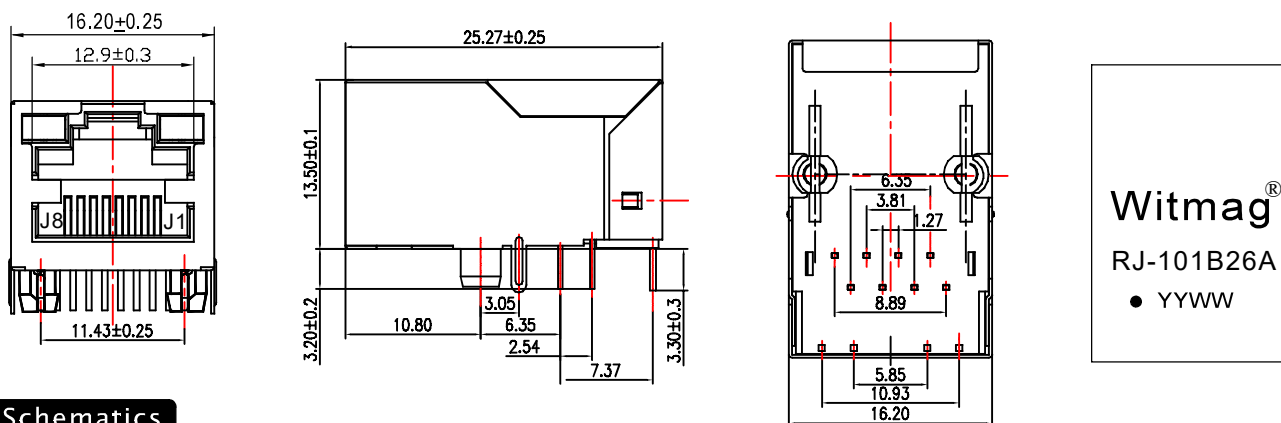
- ◆ Internal magnetics options available
- ◆ Meets or exceeds IEEE 802.3 standard for 100Base-T
- ◆ 350 uH minimum OCL with 8 mA bias current
- ◆ High performance for maximum EMI suppression
- ◆ Minimum 1500 Vrms isolation per IEEE 802.3 requirement

**SPEC**

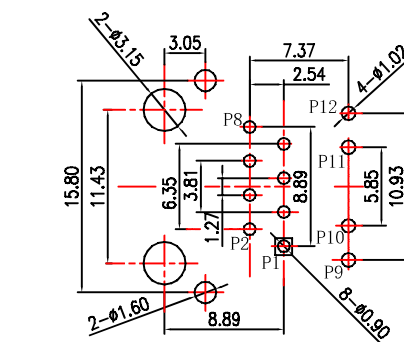
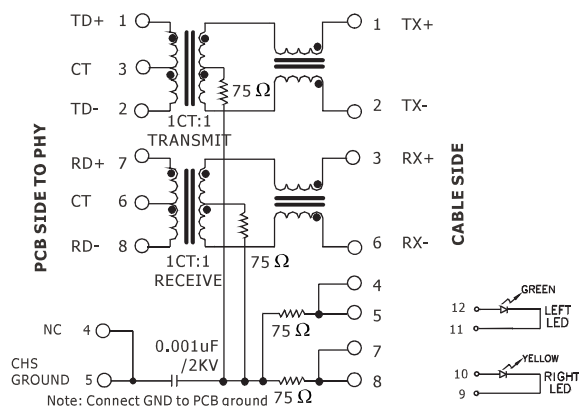
Electrical Specifications @25°C - Operating Temperature 0°C to 70°C

Part Number	Turns Ratio		EMI Fingers	LEDs L/R	Insertion Loss (dB TYP)		Return Loss (dB TYP) (100Ω ± 15%)				Crosstalk (dB TYP)			Common Mode Rejection (dB TYP)		Hipot (Vrms) @50 Hz
	TX	RX			1-65 MHz	1-10 MHz	10-30 MHz	30-60 MHz	60-80 MHz	1-30 MHz	30-60 MHz	60-100 MHz	1-50 MHz	50-150 MHz		
RJ-101B26A	1CT:1	1CT:1	N/A	G/Y	-1	-20	-16	-12	-10	-40	-35	-30	-30	-20	1500	

**Mechanicals**



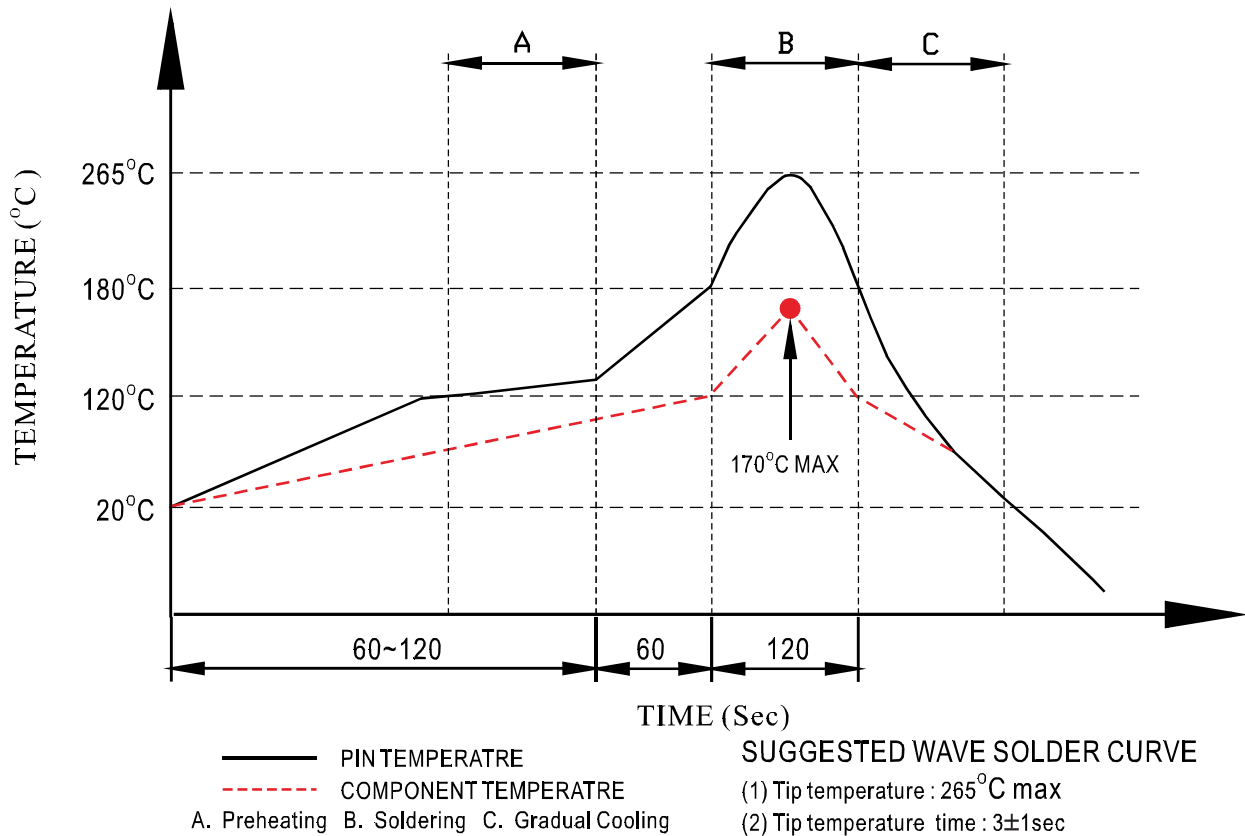
**Schematics**



P. C. B RECOMMENDED HOLE LAYOUT SEEN FROM COMPONENT SIDE.

ALL CENTERLINE DIMENSIONS ARE BASIC

Profile of wave solder



\*The melting point of Sn99.3/Cu0.7

REQUIREMENTS

- ◆ Material
  - ◇ Terminal Parts(Underphating:30u" min. Nickel overall)
    - RJ Terminal: PH. Bronze, Thickness=0.3mm, Finish: Contact Area: 6u" Gold
    - Input Terminal: Brass, Thickness=0.35mm, Finish: 100u" min. Mt. Tin
    - Case Terminal: Brass, Thickness=0.3mm, Finish: 100u" min. Tin
  - ◇ Plastic Parts<UL94V-0>
    - Housing: Thermoplastic, Black
    - Case: Thermoplastic, Black
    - Spacer: Thermoplastic, Black
    - Light Pipe: Thermoplastic, Black
  - ◇ Shield Parts
    - Front Shield: Stainless, Thickness=0.2mm, unplating
    - Back Shield: Stainless, Thickness=0.2mm, Pre-soldering
- ◆ Operating and Storage Temperature
  - Operating Temperature: 0°C to +70°C
  - Storage Temperature: -40°C to +85°C
- ◆ RJ45 Specifications
  - Insulation Resistance 500MΩmin
  - Insertion force with the latch depressed 22N max
  - Removal force with the latch depressed 44N max
  - Locking Force of Plug Latch: 50N min. @60±5 sec
  - Durability: 750 cycles MIN