

WitJack

RJ45/ USB Combo

RJ-501C10(ROHS)

Witmag

TEL: +86 755 36921672 FAX: +86 755 29454863
 Http: //www.witmag.com.cn Http: //www.witmag.cn
 E-mail:sales@witmag.com.cn

Features

Description:

- ✧ RJ45/Dual USB Combo is a Through Hole integrated connector module with a single RJ45 Tab-UP in combination with USB connector ports (refer to illustration below). The RJ45 connector internal magnetics are designed to support 10/100/1000Base-TX applications such as LAN-on-Motherboard and PC applications.

Features and Benefits:

- ✧ LAN interface suitable for 10/100/1000Base-TX applications
- ✧ RJ45/USB stacked design saves on PCB real estate
- ✧ USB module complies with USB 2.0 standards and meets CAT5 Fast Ethernet industry performance standard
- ✧ Magnetics are 100% electrically tested for HI-POT and continuity

Electrical Performance Summary:

- ✧ Internal magnetics options available
- ✧ Meets or exceeds IEEE 802.3 and ANSI X3.263 standards
- ✧ 350 uH minimum OCL with 8 mA bias current
- ✧ High performance for maximum EMI suppression
- ✧ Minimum 1500 Vrms isolation per IEEE 802.3i/u/af requirement
- ✧ Meets IEEE 802.3 HiPot isolation requirements

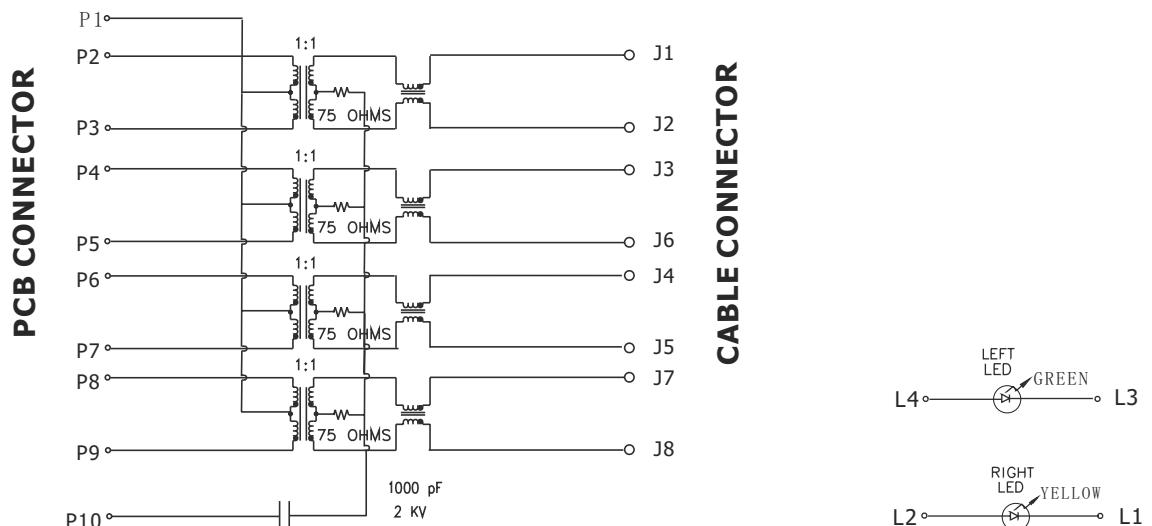
SPEC

Electrical Specifications @25°C - Operating Temperature 0°C to 70°C

Part Number	EMI Fingers	Turns Ratios		LEDs L/R	Insertion Loss (dB MAX)				Return Loss (dB TYP) (100Ω 15Ω)				Crosstalk (dB MIN)		Common Mode Rejection (dB TYP)	Hipot (Vrms MIN)
		TX	RX	L/R	1~65 MHz	1~10 MHz	30 MHz	60~80 MHz	1~10 MHz	32~60 MHz	60~100 MHz	1~50 MHz	50~130 MHz	@60 Hz		
RJ-501C10	N/A	1CT:1	1CT:1	G/Y	-1.0	-20	-16	-12	-40	-35	-30	-30	-20	1500		

NOTE: 1. Both transmit and receive channels meet IEEE 802.3 specifications
 2. Different electrical and mechanical specifications can be accommodated
 3. LEDs Left/Right: G=green, Y=Yellow, O=Orange.

Schematics

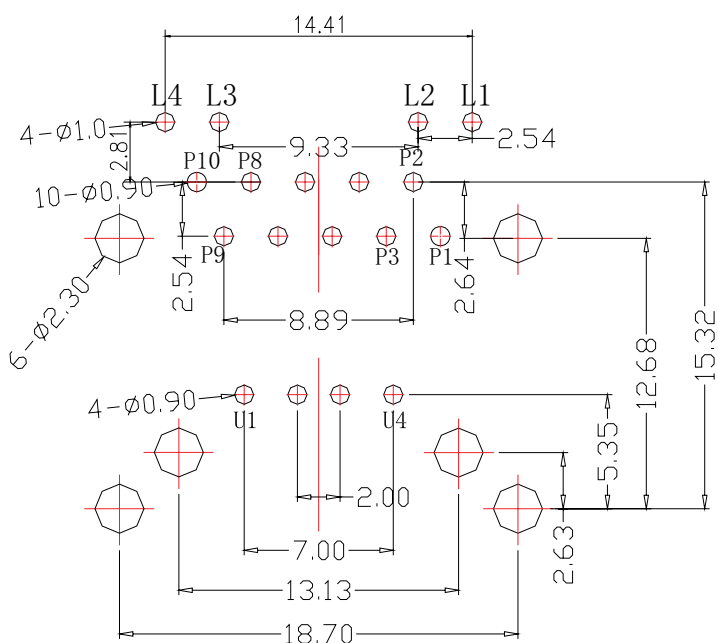
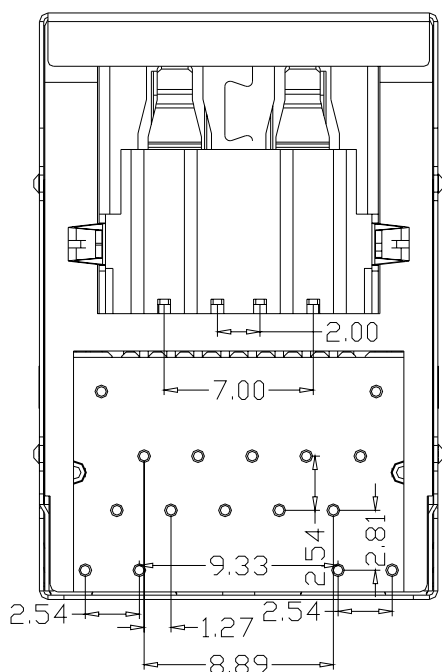
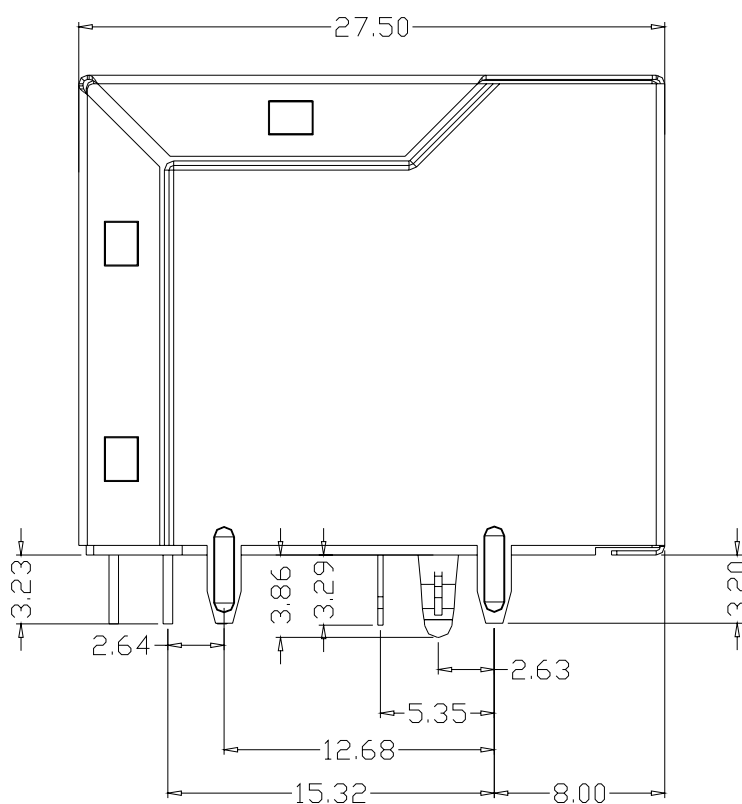
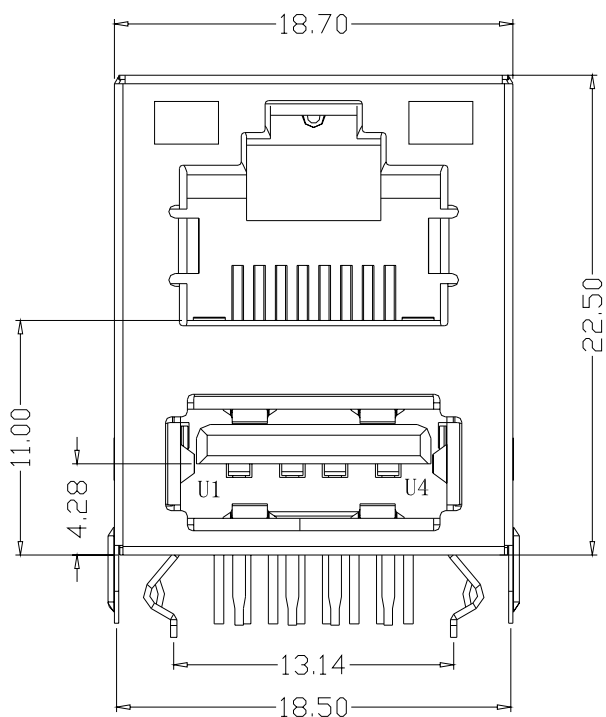


WitJack RJ45/ USB Combo RJ-501C10(ROHS)

Mechanicals

Witmag

TEL: +86 755 36921672 FAX: +86 755 29454863
Http://www.witmag.com.cn Http://www.witmag.cn
E-mail:sales@witmag.com.cn



ALL CENTERLINE DIMENSIONS ARE BASIC

P. C. B RECOMMENDED HOLE LAYOUT SEEN FROM COMPONENT SIDE.

UNIT : mm / inch

Unless otherwise specified, all dimensions tolerances is ± 0.25 / 0.010.