

WitJack

1X1 Tab-Up RJ45

RJ-180G90

Witmag

TEL: +86 755 36921672 FAX: +86 755 29454863
 Http://www.witmag.com.cn Http://www.witmag.cn
 E-mail:sales@witmag.com.cn

Features

Description:

- ◆ 10/100 Base-TX RJ45 single port(1X1) Tab-Up with or without LEDs integrated magnetics connector (ICM), designed to support applications, such as Network Interface Cards (NIC), LAN-on Motherboard (LOM), and PC applications.

Features and Benefits:

- ◆ Single port Tab-Up with internal magnetics for 10/100 Base-TX
- ◆ Available with or without LEDs
- ◆ Suitable for CAT 5 and 6 Fast Ethernet cable or better UTP
- ◆ Internal magnetics are 100% electrically tested for HI-POT and functionality

Electrical Performance Summary:

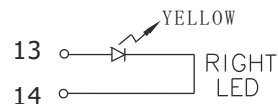
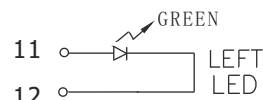
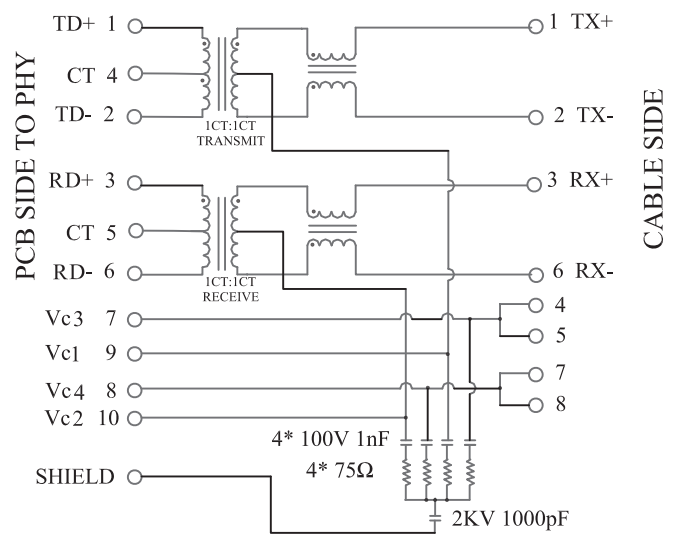
- ◆ Internal magnetics options available
- ◆ Meets or exceeds IEEE 802.3ab standard for 1000Base-T
- ◆ 350 uH minimum OCL with 8 mA bias current
- ◆ High performance for maximum EMI suppression
- ◆ Minimum 1500 Vrms isolation per IEEE 802.3 requirement

SPEC

Electrical Specifications @25°C - Operating Temperature 0°C to 70°C

- TR: (50KHz, 1V) ;
 (P1-P2) : (J1-J2)=1:1 ± 3%
 (P3-P6) : (J7-J8)=1:1 ± 3%
- LX: (100KHz, 0.1V, 8mA, DC Bias)
 PINS: (P1-P2)=350uH MINIMUM
 PINS: (P3-P6)=350uH MINIMUM
- DCR: 1.5 OHMS MAXIMUM
- HIPOT: 1500VAC FOR 60 SECONDS
- INSERTION LOSS:
 -1.0dB MAXIMUM AT 0.1MHz TO 100MHz ;
- RETURN LOSS:
 -20dB MINIMUM AT 1MHz TO 30MHz ;
 -16dB MINIMUM AT 30MHz TO 60MHz ;
 -12dB MINIMUM AT 60MHz TO 80MHz ;
 -10dB MINIMUM AT 80MHz TO 100MHz ;
- CROSS TALK:
 -40dB MINIMUM AT 1MHz TO 30MHz
 -35dB MINIMUM AT 3MHz TO 60MHz
 -30dB MINIMUM AT 60MHz TO 100MHz
- COMMON MODE REJECTION:
 -30dB MINIMUM AT 1MHz TO 100MHz

Schematics

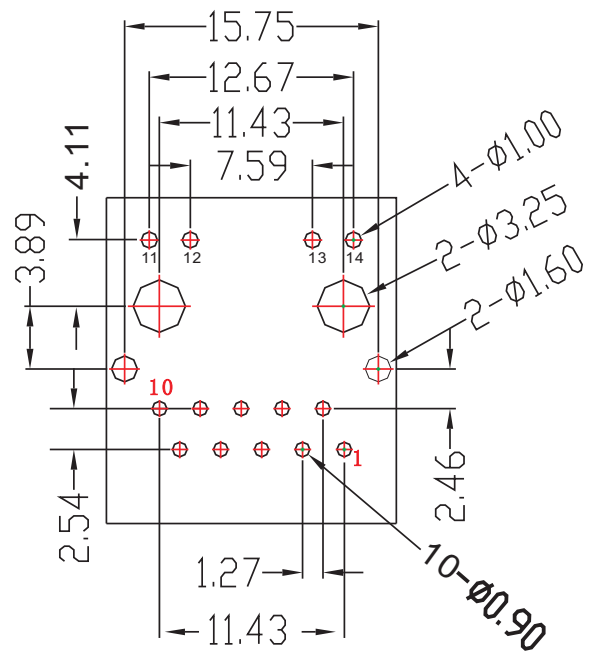
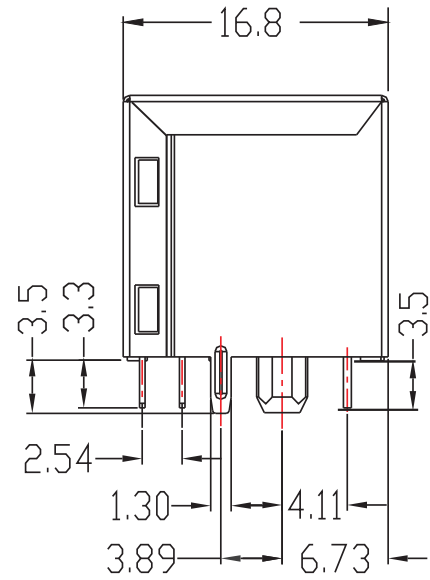
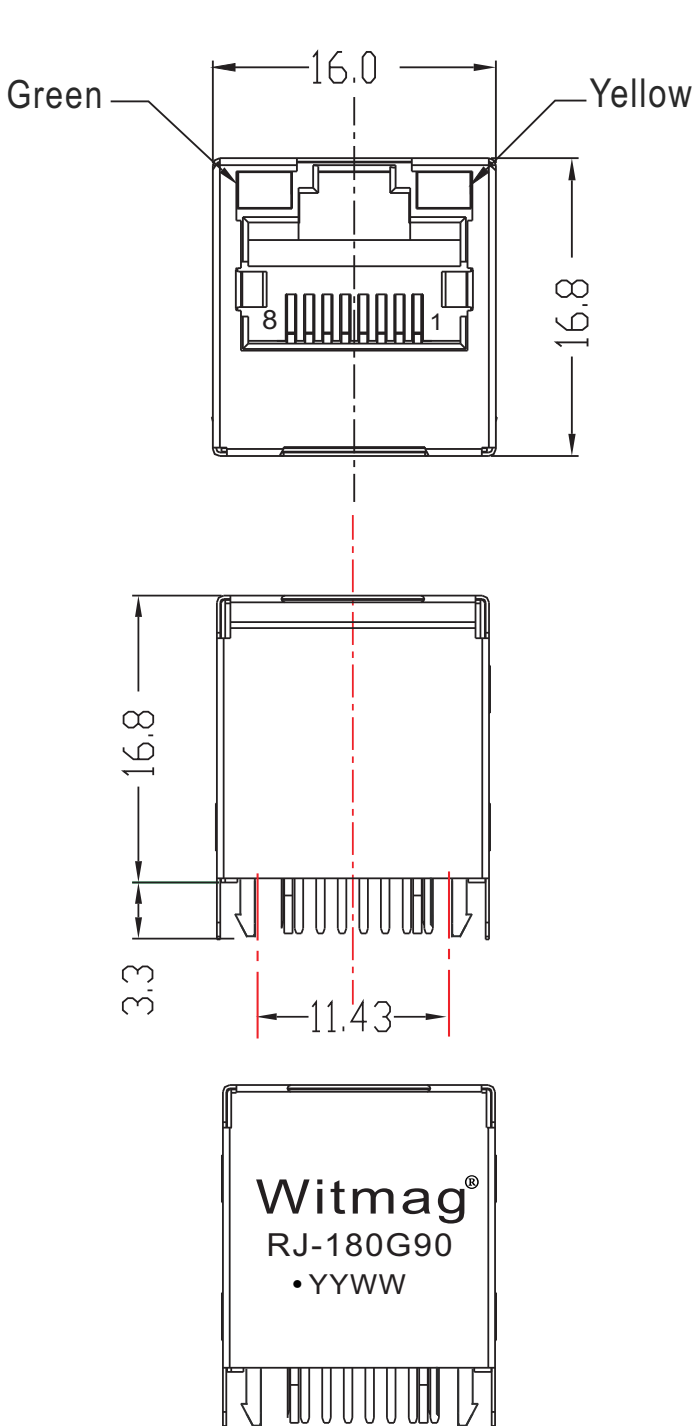


WitJack
1X1 Tab-Up RJ45
RJ-180G90

Mechanicals

Witmag

TEL: +86 755 36921672 FAX: +86 755 29454863
 Http://www.witmag.com.cn Http://www.witmag.cn
 E-mail:sales@witmag.com.cn



Units: mm
 TOLERANCE DECIMALS: .X±0.25;
 .XX±0.15; .XXX±0.05

WitJack

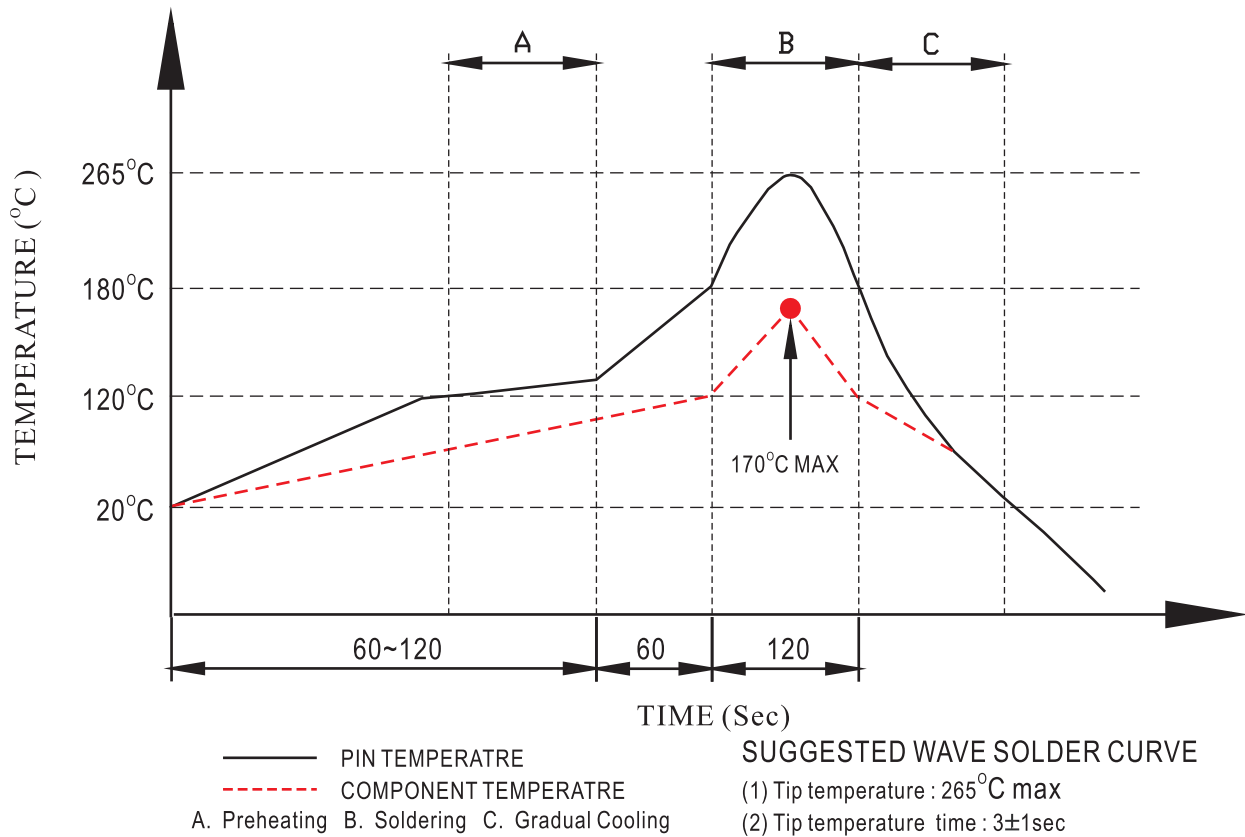
1X1 Tab-Up RJ45

RJ-180G90

Witmag

TEL: +86 755 36921672 FAX: +86 755 29454863
 Http://www.witmag.com.cn Http://www.witmag.cn
 E-mail:sales@witmag.com.cn

Profile of wave solder



*The melting point of Sn99.3/Cu0.7

REQUIREMENTS

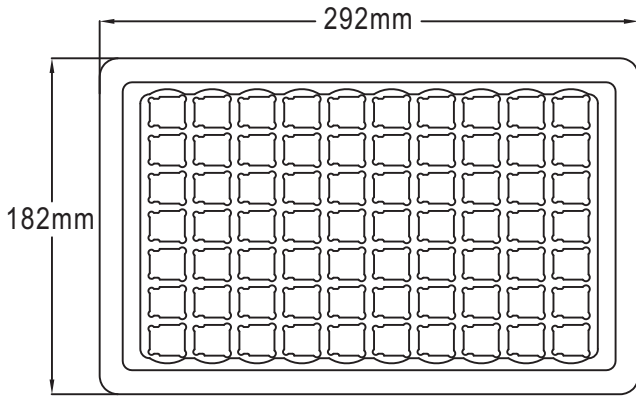
- ◆ Material
 - ◇ Terminal Parts(Underphating:30u" min. Nickel overall)
 - RJ Terminal: PH. Bronze, Thickness=0.3mm, Finish: Contact Area: 6u" Gold
 - Input Terminal: Brass, Thickness=0.35mm, Finish: 100u" min. Mt. Tin
 - Case Terminal: Brass, Thickness=0.3mm, Finish: 100u" min. Tin
 - ◇ Plastic Parts<UL94V-0>
 - Housing: Thermoplastic, Black
 - Case: Thermoplastic, Black
 - Spacer: Thermoplastic, Black
 - Light Pipe: Thermoplastic, Black
 - ◇ Shield Parts
 - Front Shield: Stainless, Thickness=0.2mm, unplating
 - Back Shield: Stainless, Thickness=0.2mm, Pre-soldering
- ◆ Operating and Storage Temperature
 - Operating Temperature: 0°C to +70°C
 - Storage Temperature: -40°C to +85°C
- ◆ RJ45 Specifications
 - Insulation Resistance 500MΩmin
 - Insertion force with the latch depressed 22N max
 - Removal force with the latch depressed 44N max
 - Locking Force of Plug Latch: 50N min. @60±5 sec
 - Durability: 750 cycles MIN

WitJack
1X1 Tab-Up RJ45
RJ-180G90

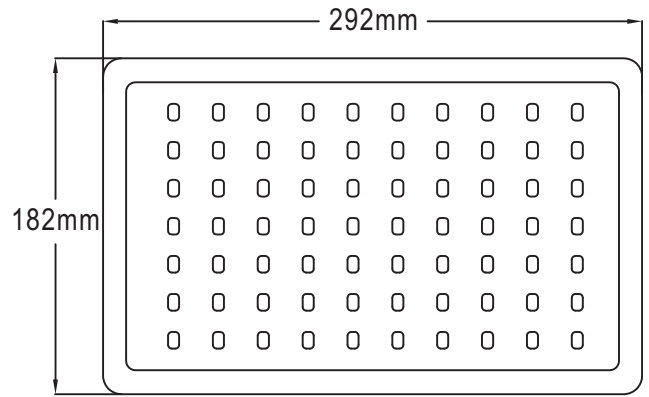
Packing

Witmag

TEL: +86 755 36921672 FAX: +86 755 29454863
 Http://www.witmag.com.cn Http://www.witmag.cn
 E-mail:sales@witmag.com.cn



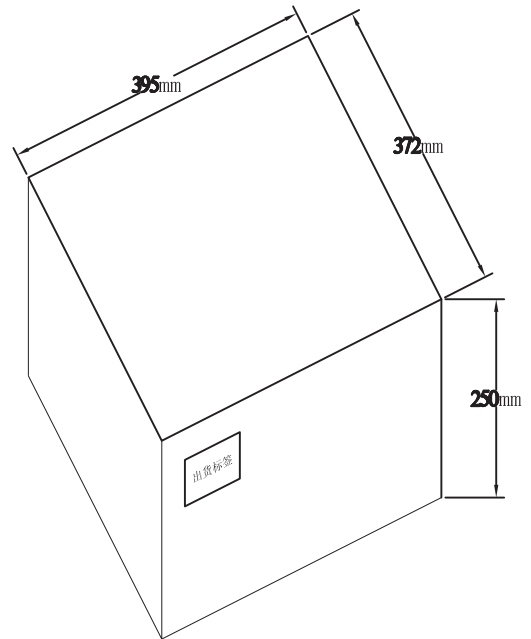
吸塑盘
 每盘装产品7*10=70PCS



吸塑盖
 每盘装好的产品
 上盖一个吸塑盖



每箱: 70*20=1400PCS



每箱贴出货标签