

**Features**

**Description:**

- ◆ 10/100/1000 Base-TX RJ45 2X4 with LEDs 8-pin(J0 series) integrated magnetics connector(ICM), designed to support applications, such as SOHO (ADSL modems), LAN-on-Motherboard(LOM), Hub and Switches.

**Features and Benefits:**

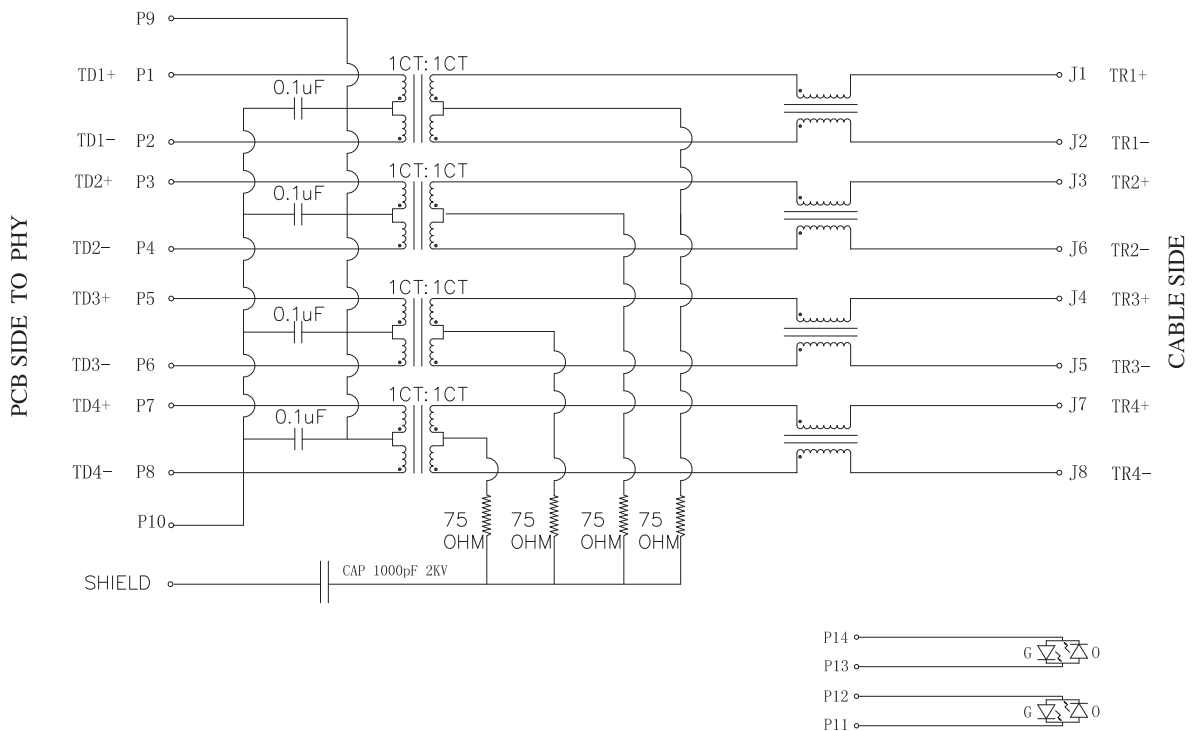
- ◆ 2X4 RJ45 with internal magnetics
- ◆ Suitable for CAT 5 & 6 Fast Ethernet Cable or better UTP
- ◆ Internal magnetics are 100% electrically tested for HI-POT and functionality

**Electrical Performance Summary:**

- ◆ Internal magnetics options available
- ◆ Meets or exceeds IEEE 802.3 standard for 1000Base-T
- ◆ 350 uH minimum OCL with 8 mA DC bias current&100KHZ,0.1V
- ◆ High performance for maximum EMI suppression

SPEC		Electrical Specifications @25°C - Operating Temperature -40°C to 85°C											
Part Number	Turns Ratio		EMI Fingers	LEDs L/R	Insertion Loss (dB TYP)	Return Loss (dB TYP)					Crosstalk (dB TYP)	Common Mode Rejection (dB TYP)	Hipot (DC Vrms)
	TX	RX				1-100 MHz	1-40 MHz	40-60 MHz	60-80 MHz	80-100 MHz			
RJ-208G08	1CT:1	1CT:1	YES	O&G/O&G	-1	-16	-12	-10	-8	-30	-30	1800	

**Schematics**

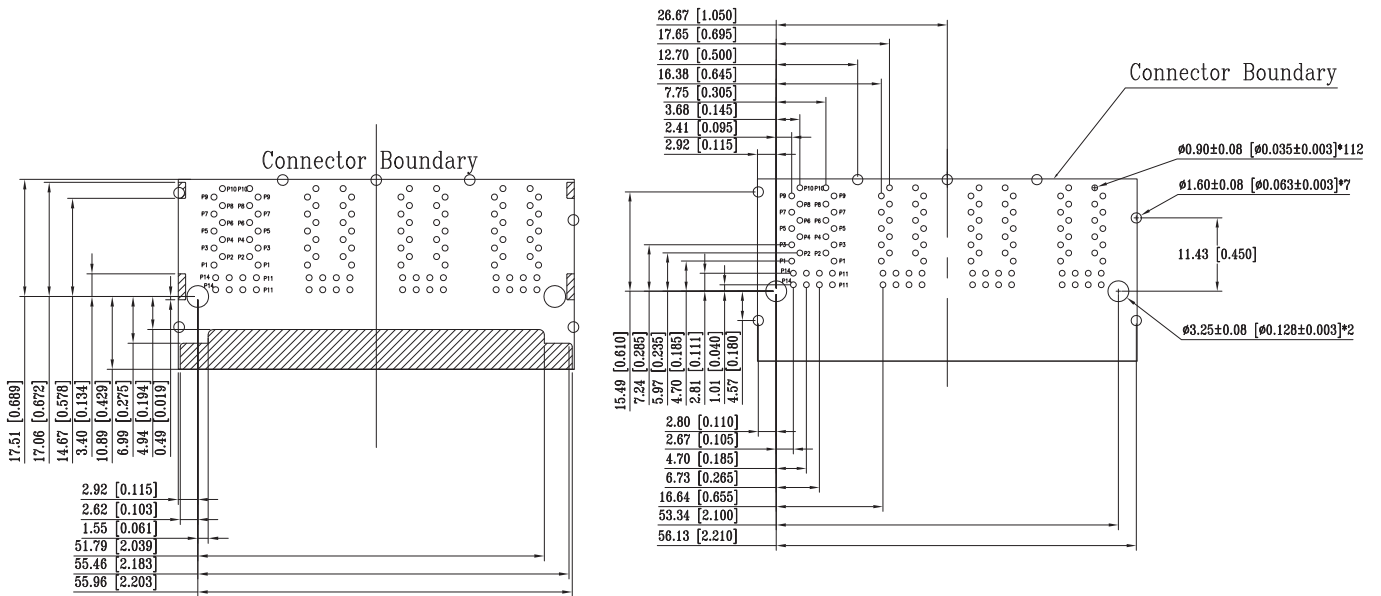
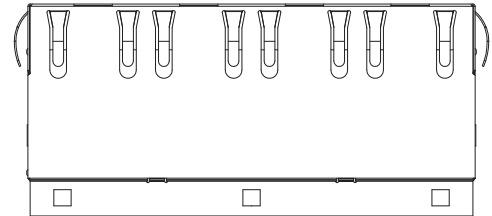
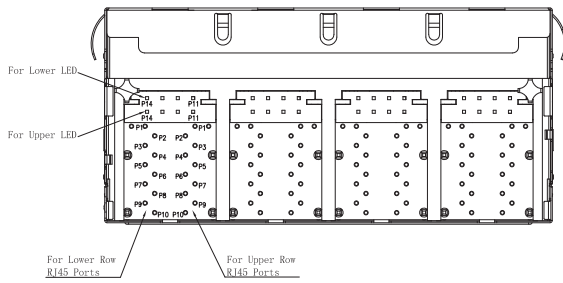
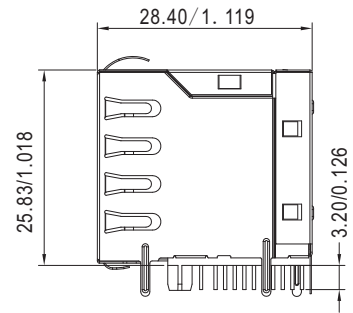
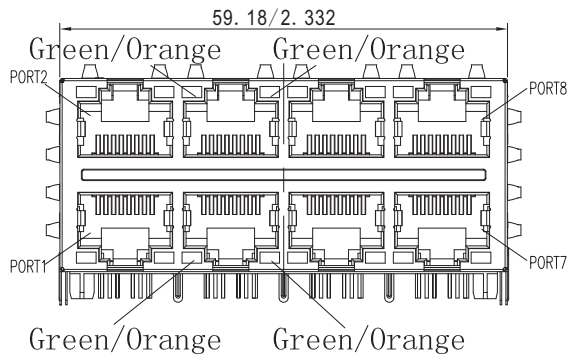


**WitJack  
2X4 RJ45  
RJ-208G08**

**Mechanicals**

**Witmag**

TEL: +86 755 36921672 FAX: +86 755 29454863  
Http://www.witmag.com.cn Http://www.witmag.cn  
E-mail:sales@witmag.com.cn

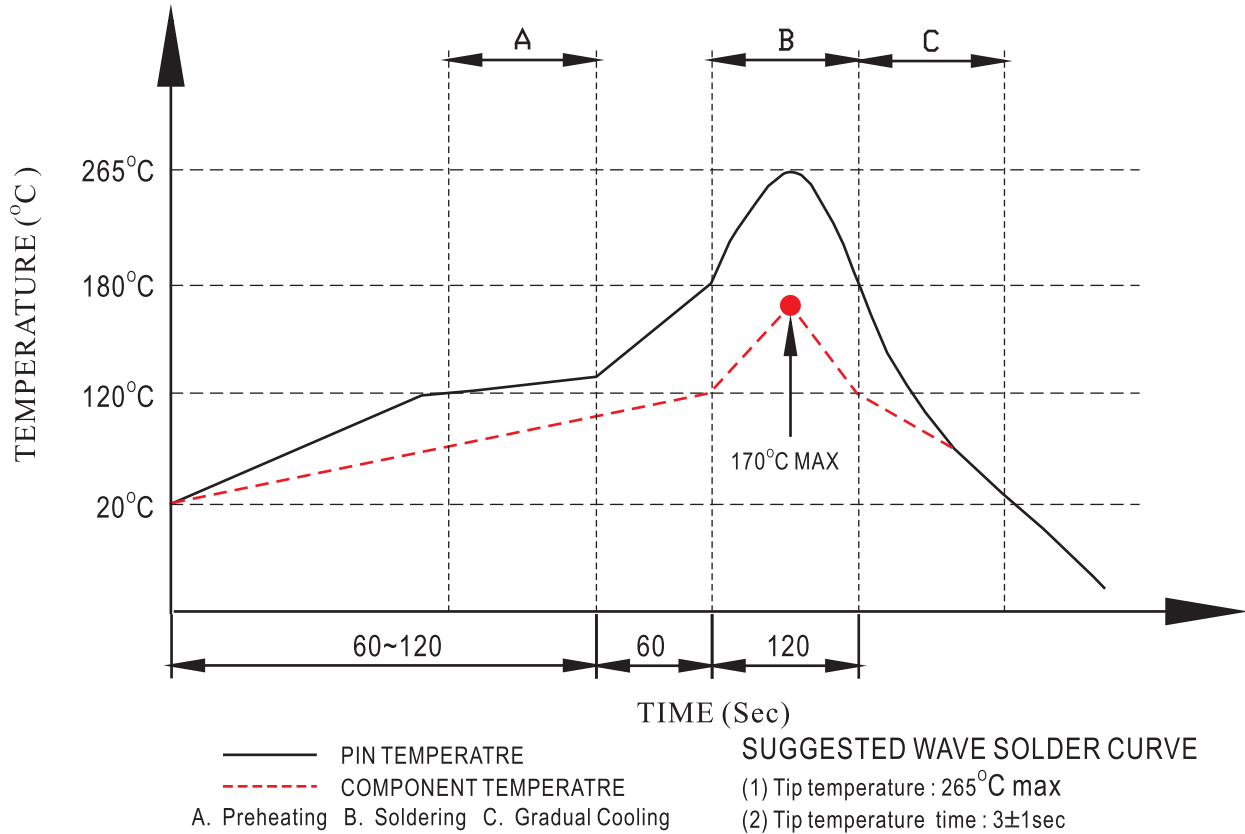


P. C. B RECOMMENDED HOLE LAYOUT SEEN FROM COMPONENT SIDE.  
ALL CENTERLINE DIMENSIONS ARE BASIC

UNIT : mm / inch

Unless otherwise specified, all dimensions  
tolerances is  $\pm 0.25 / 0.010$ .

Profile of wave solder



\*The melting point of Sn99.3/Cu0.7

**REQUIREMENTS**

- ◆ Material
  - ◇ Terminal Parts(Underphating:30u" min. Nickel overall)
    - RJ Terminal: PH. Bronze, Thickness=0.3mm, Finish: Contact Area: 6u" Gold
    - Input Terminal: Brass, Thickness=0.35mm, Finish: 100u" min. Mt. Tin
    - Case Terminal: Brass, Thickness=0.3mm, Finish: 100u" min. Tin
  - ◇ Plastic Parts<UL94V-0>
    - Housing: Thermoplastic, Black
    - Case: Thermoplastic, Black
    - Spacer: Thermoplastic, Black
    - Light Pipe: Thermoplastic, Black
  - ◇ Shield Parts
    - Front Shield: Stainless, Thickness=0.2mm, unplating
    - Back Shield: Stainless, Thickness=0.2mm, Pre-soldering
- ◆ Operating and Storage Temperature
  - Operating Temperature: -40°C to +85°C
  - Storage Temperature: -40°C to +85°C
- ◆ RJ45 Specifications
  - Insulation Resistance 500MΩmin
  - Insertion force with the latch depressed 22N max
  - Removal force with the latch depressed 44N max
  - Locking Force of Plug Latch: 50N min. @60±5 sec
  - Durability: 750 cycles MIN