

WitJack

1X1 Tab-Down RJ45

RJ-180G51

Witmag

TEL: +86 755 36921672 FAX: +86 755 29454863
 Http://www.witmag.com.cn Http://www.witmag.cn
 E-mail:sales@witmag.com.cn

Features

Description:

- ◆ 10/100/1000 Base-TX RJ45 single port(1X1) Tab-down with or without LEDs integrated magnetics connector (ICM), designed to support applications, such as Network Interface Cards (NIC), LAN-on Motherboard (LOM), and PC applications.

Features and Benefits:

- ◆ Single port Tab-down with internal magnetics for 10/100/1000 Base-TX
- ◆ Available with or without LEDs
- ◆ Suitable for CAT 5 and 6 Fast Ethernet cable or better UTP
- ◆ Internal magnetics are 100% electrically tested for HI-POT and functionality

Electrical Performance Summary:

- ◆ Internal magnetics options available
- ◆ Meets or exceeds IEEE 802.3ab standard for 1000Base-T
- ◆ 350 uH minimum OCL with 8 mA bias current
- ◆ High performance for maximum EMI suppression
- ◆ Minimum 1500 Vrms isolation per IEEE 802.3 requirement

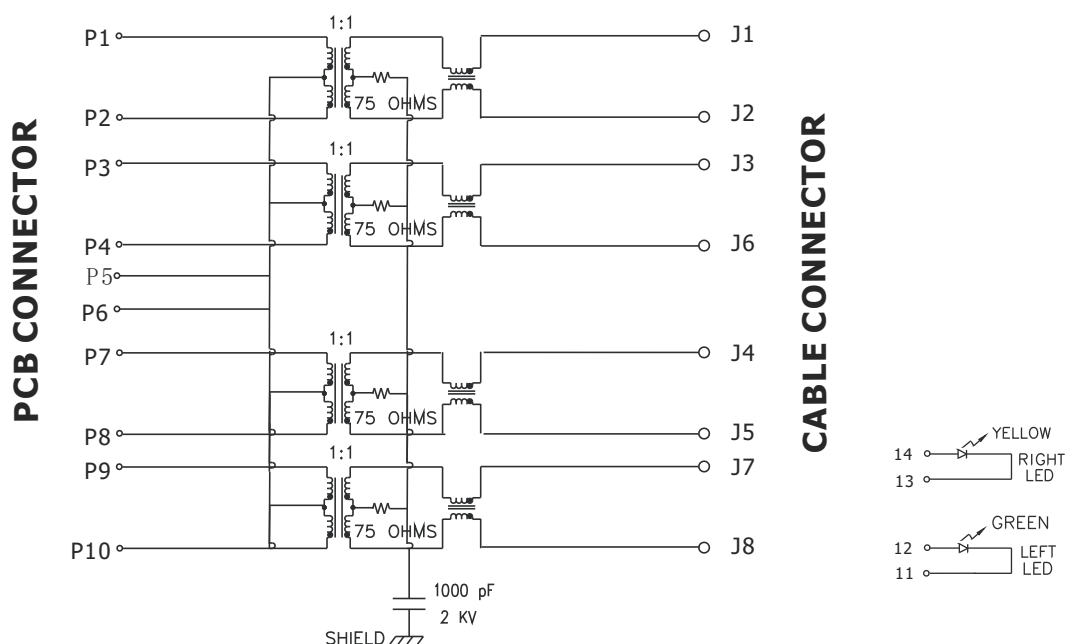
SPEC

Electrical Specifications @25°C - Operating Temperature 0°C to 70°C

Part Number	EMI Fingers	LEDs L/R	Insertion Loss (dB TYP)				Return Loss (dB MIN)			Crosstalk (dB TYP)			Common Mode Rejection (dB TYP)		Hipot (Vrms)
			TX/RX	1~100 MHz	1~10 MHz	30 MHz	60~80 MHz	100 Ω	15 Ω	1~10 MHz	32~65 MHz	65~100 MHz	1~125 MHz	125~500 MHz	
RJ-180G51	NO	G/Y	-1.0	-20	-16	-12	-40	-35	-30	-30	-20	1500			

- NOTE: 1. Both transmit and receive channels meet IEEE 802.3 specifications
 2. Different electrical and mechanical specifications can be accommodated
 3. LEDs Left/Right: G=green, Y=yellow, Y-G=Bicolor

Schematics

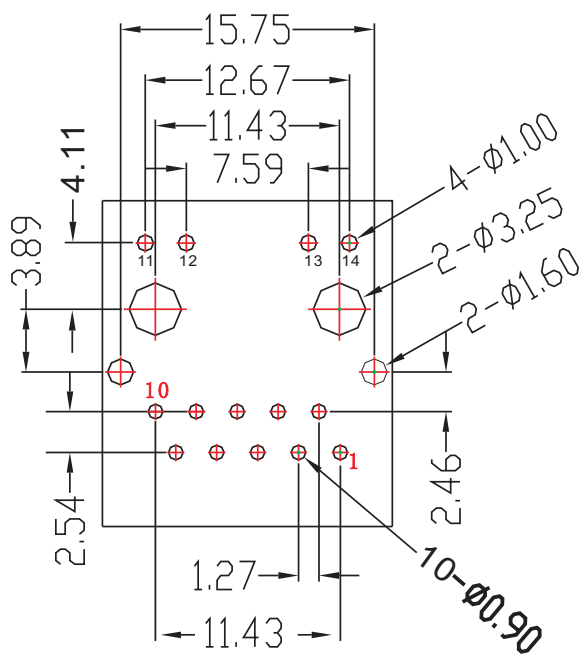
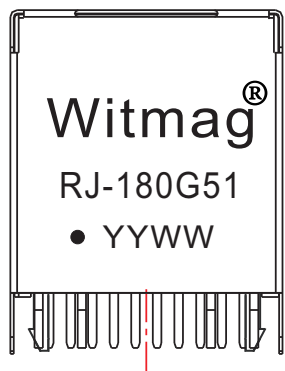
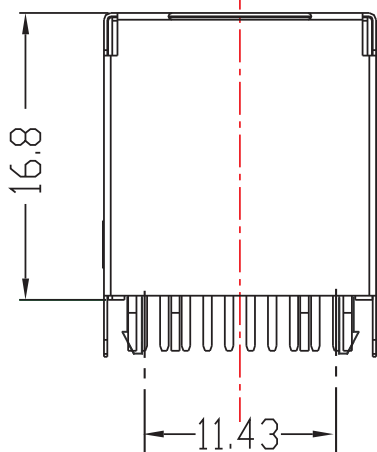
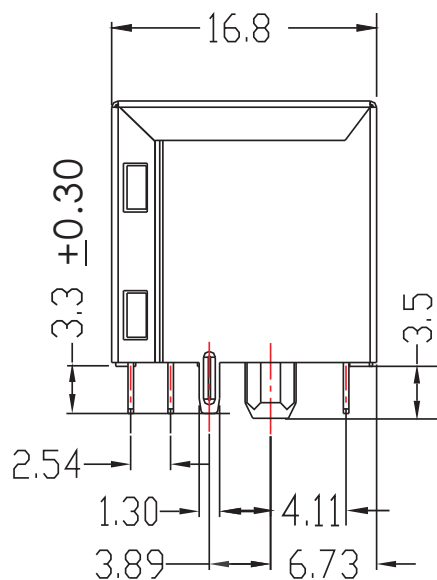
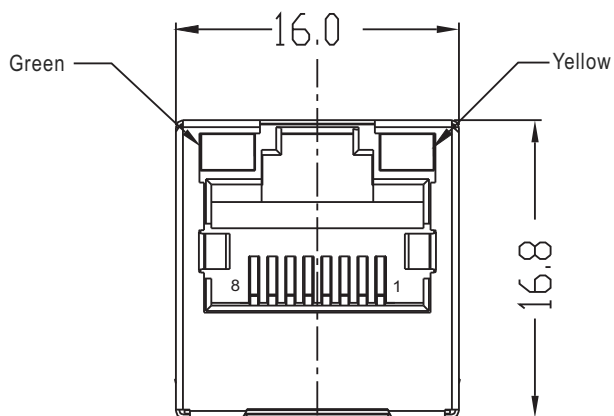


WitJack
1X1 Tab-Down RJ45
RJ-180G51

Mechanicals

Witmag

TEL: +86 755 36921672 FAX: +86 755 29454863
 Http://www.witmag.com.cn Http://www.witmag.cn
 E-mail:sales@witmag.com.cn



Units: mm

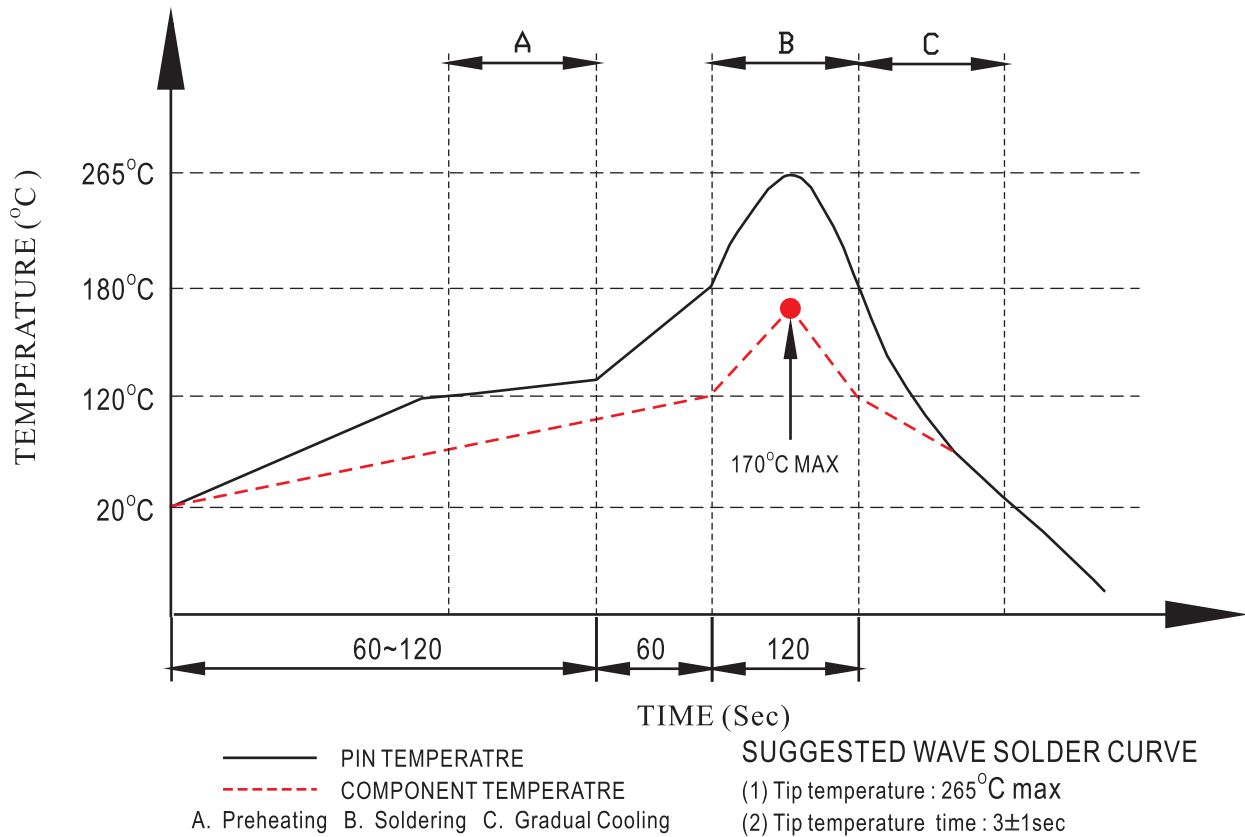
TOLERANCE DECIMALS: .X±0.25;
 .XX±0.15; .XXX±0.05

WitJack
1X1 Tab-Down RJ45
RJ-180G51

Witmag

TEL: +86 755 36921672 FAX: +86 755 29454863
 Http://www.witmag.com.cn Http://www.witmag.cn
 E-mail:sales@witmag.com.cn

Profile of wave solder



*The melting point of Sn99.3/Cu0.7

REQUIREMENTS

- ◆ Material
 - ◇ Terminal Parts(Underphating:30u" min. Nickel overall)
 - RJ Terminal: PH. Bronze, Thickness=0.3mm, Finish: Contact Area: 6u" Gold
 - Input Terminal: Brass, Thickness=0.35mm, Finish: 100u" min. Mt. Tin
 - Case Terminal: Brass, Thickness=0.3mm, Finish: 100u" min. Tin
 - ◇ Plastic Parts<UL94V-0>
 - Housing: Thermoplastic, Black
 - Case: Thermoplastic, Black
 - Spacer: Thermoplastic, Black
 - Light Pipe: Thermoplastic, Black
 - ◇ Shield Parts
 - Front Shield: Stainless, Thickness=0.2mm, unplating
 - Back Shield: Stainless, Thickness=0.2mm, Pre-soldering
- ◆ Operating and Storage Temperature
 - Operating Temperature: 0°C to +70°C
 - Storage Temperature: -40°C to +85°C
- ◆ RJ45 Specifications
 - Insulation Resistance 500MΩmin
 - Insertion force with the latch depressed 22N max
 - Removal force with the latch depressed 44N max
 - Locking Force of Plug Latch: 50N min. @60±5 sec
 - Durability: 750 cycles MIN