

# WITMAG

## SPECIFICATION FOR APPROVAL

CUSTOMER \_\_\_\_\_

CUSTOMER'S PART NO. \_\_\_\_\_

DESCRIPTION RJ45 ICM(W/O Transformer 2ports)

WITMAG'S PART NO. \_\_\_\_\_

RJ-201Z07

REV. \_\_\_\_\_

A

WITMAG'S OLD P/N \_\_\_\_\_

ISSUE NO. \_\_\_\_\_

ISSUE DATE. \_\_\_\_\_

MAY.11,2020

APPROVED

REJECTED

APPROVED UNDER  
THE CONDITIONS:

Shenzhen Witmag Electronics Co.,Ltd

Add:5th Floor,B4 Buliding, Huafeng Guantian Science Park, Shiyan Street,  
Baoan District, Shenzhen City

Tel: +86 755-36921672/36921673

FAX:+86 755-29454863

E-mail:sales@witmag.com.cn

Web:Http://www.witmag.com.cn


Http://www.witmag.cn

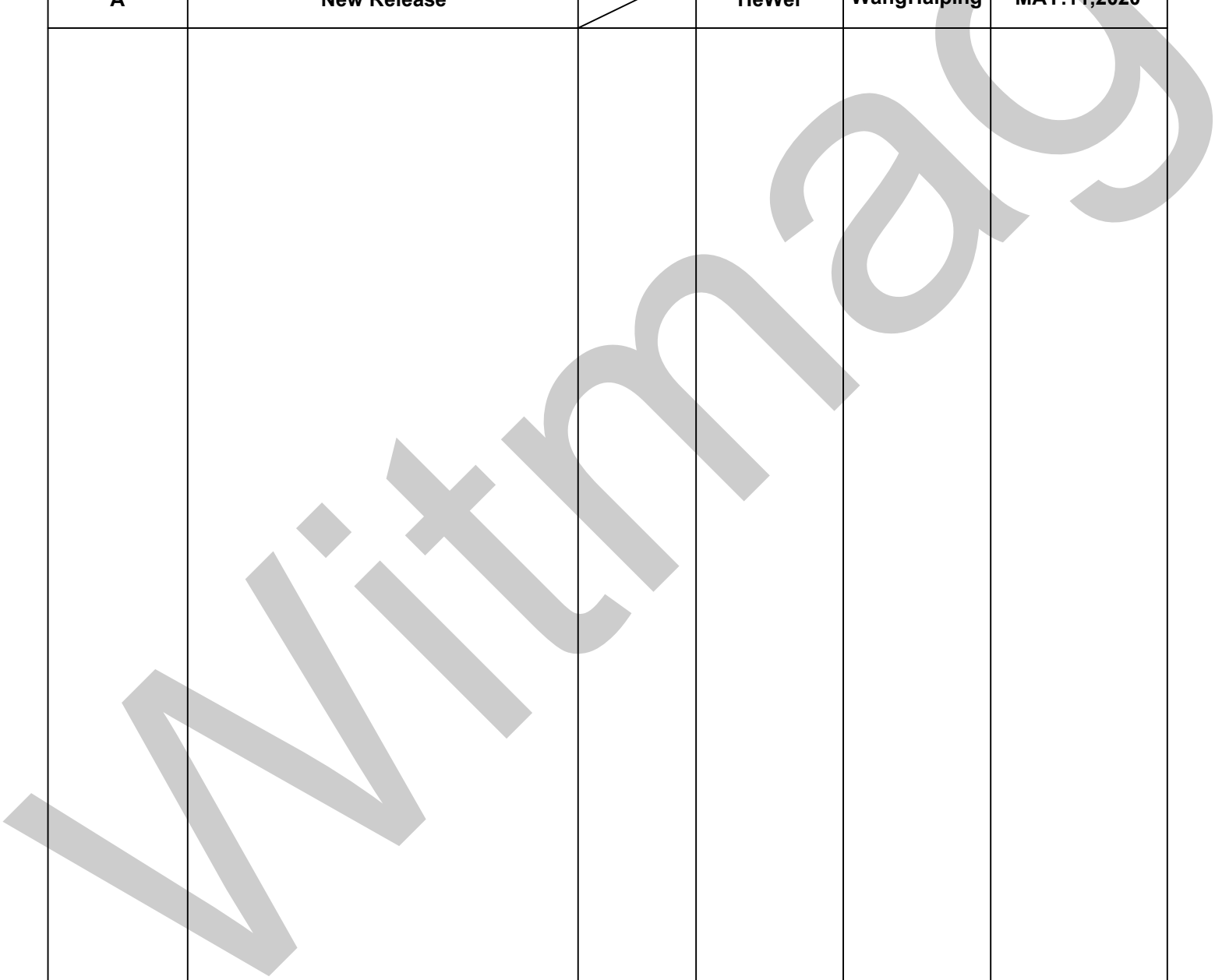
### Note:

1. This specification is the proprietary of Shenzhen witmag Electronics Co.,Ltd and is not allowed to be revealed to third party without any written approval.
2. This specification is valid within 1 year before approval, and for any updated specification information required, please contact with Witmag's sales window before order releases.

# WITMAG

## SPECIFICATION FOR APPROVAL

<b>CUSTOMER PART NO:</b>					<b>Rev.:A</b>
<b>WITMAG PART NO:RJ-201Z07</b>					
<b>PART NAME:RJ45 ICM(W/O Transformer 2ports)</b>					<b>ROHS</b>
Revision	Description	Drawn	Designed	Approved	Issue date
A	New Release		HeWei	WangHaiping	MAY.11,2020



# WITMAG

## SPECIFICATION FOR APPROVAL

CUSTOMER PART NO:

WITMAG PART NO:RJ-201Z07

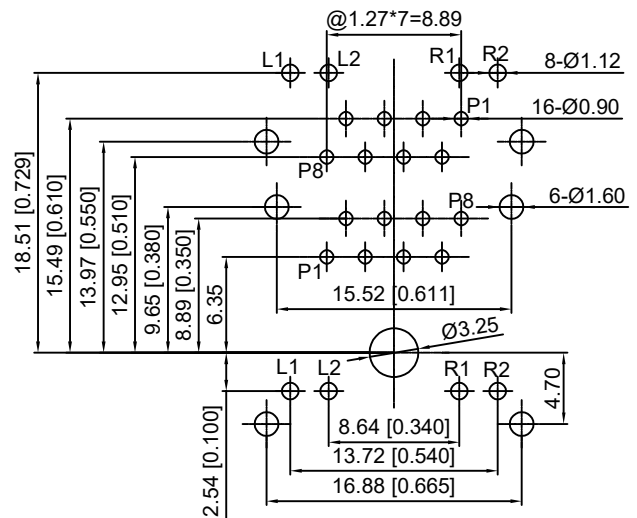
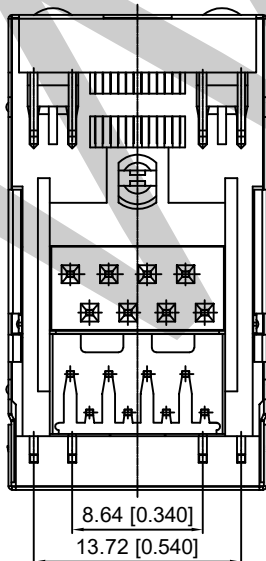
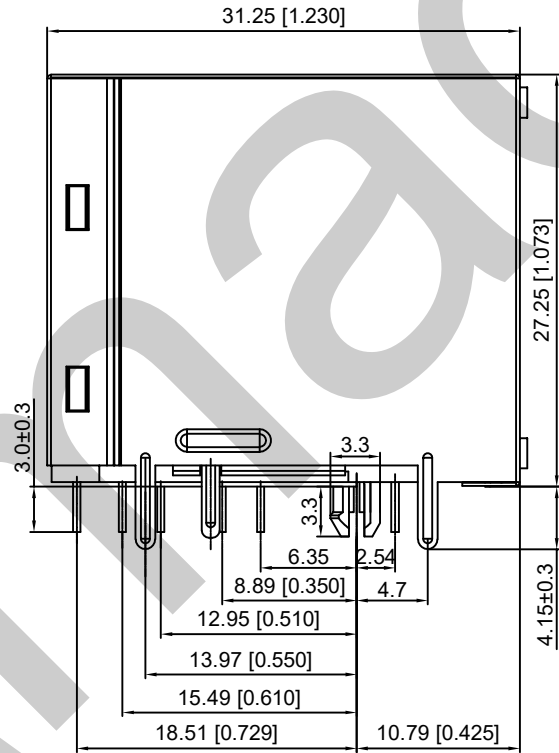
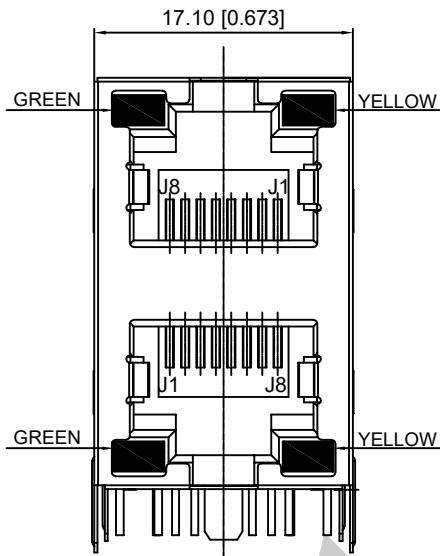
PART NAME:RJ45 ICM(W/O Transformer 2ports)

Rev.:A



### Mechanical Dimension and Recommended PWB Layout

#### ◆ Mechanical Dimension



Dimensions:mm[Inchs]

Unless otherwise specified,All dimensions tolerance is ±0.25[0.010]

# WITMAG

## SPECIFICATION FOR APPROVAL

<b>CUSTOMER PART NO:</b> <b>WITMAG PART NO:RJ-201Z07</b> <b>PART NAME:RJ45 ICM(W/O Transformer 2ports)</b>	<b>Rev.:A</b>  <b>ROHS</b>
--	---

### Circuit Schematic and Note

#### ◆ Circuit Schematic



#### ◆ Note:

- Connector material:  
Housing:PBT or PA66 black UL94 V-0  
Contact:phosphor bronze T=0.35mm  
Shield:Brass 0.20mm thickness plated nickel for all  
Contact plating:selective gold,6 micro-inchs in contact area
- RJ45 cavities conform to FCC rules regulation part 68
- Operating Temperature:0°C to +70°C
- Storage Temperature:-40°C to +85°C
- Electronical Specifications  
Voltage Rating:125VAC  
Current Rating:1.5AMP  
Contact Resistance:50 MILLIOHMS MAX  
Insulation Resistance:1000 MEGOHMS MIN @ 500VDC  
Dielectric withstanding voltage:1000VDC RMS 50Hz OR 60Hz FOR 1MIN