

WITMAG

SPECIFICATION FOR APPROVAL

CUSTOMER _____

CUSTOMER'S PART NO. _____

DESCRIPTION RJ45 ICM(10/100M Base-T 1port)

WITMAG'S PART NO. RJ-101E02 REV. A

WITMAG'S OLD P/N _____

ISSUE NO. _____

ISSUE DATE. NOV.22,2019

APPROVED

REJECTED

APPROVED UNDER
THE CONDITIONS:

Shenzhen Witmag Electronics Co.,Ltd

Add:5th Floor,B4 Buliding, Huafeng Guantian Science Park, Shiyan Street,
Baoan District, Shenzhen City

Tel: +86 755-36921672/36921673

FAX:+86 755-29454863

E-mail:sales@witmag.com.cn

Web:Http://www.witmag.com.cn

Http://www.witmag.cn

Note:

1. This specification is the proprietary of Shenzhen witmag Electronics Co.,Ltd and is not allowed to be revealed to third party without any written approval.
2. This specification is valid within 1 year before approval, and for any updated specification information required, please contact with Witmag's sales window before order releases.

WITMAG

SPECIFICATION FOR APPROVAL

CUSTOMER PART NO:

WITMAG PART NO:RJ-101E02

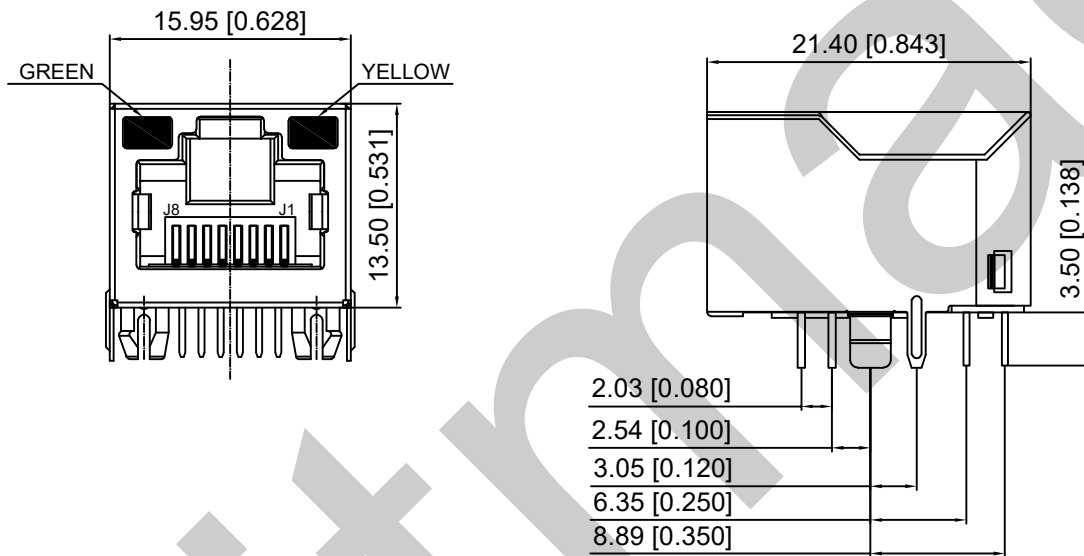
PART NAME:RJ45 ICM(10/100M Base-T 1port)

Rev.:A



Mechanical Dimension and Notes

◆ Mechanical Dimension



Dimensions:mm[Inchs]

Unless otherwise specified,All dimensions tolerance is ± 0.25 [0.010]

◆ Note:

1. Connector material:
Housing:PBT black UL94 V-0
Insert:PBT black UL94 V-0
Shield:Brass
Shield plating:Nickel
Contact:Phosphor Bronze
Contact plating:selective gold,6 micro-inchs min in contact area
2. RJ45 cavities conform to FCC rules regulation part 68
3. The part is recommended for wave soldering process peak soldering temperatures is 260°C max,5 secs max
4. Operating Temperature:0°C to +70°C
5. Storage Temperature:-40°C to +85°C

WITMAG

SPECIFICATION FOR APPROVAL

CUSTOMER PART NO:

WITMAG PART NO:RJ-101E02

PART NAME:RJ45 ICM(10/100M Base-T 1port)

Rev.:A



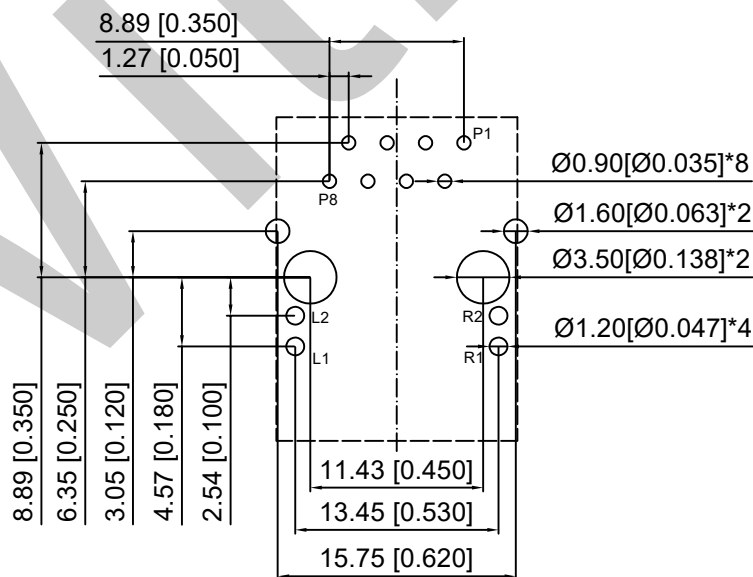
Label and PWB Layout

◆ Label

Plug In Side



◆ PWB Layout



Dimensions:mm[Inchs]

Unless otherwise specified,All dimensions tolerance is ± 0.25 [0.010]

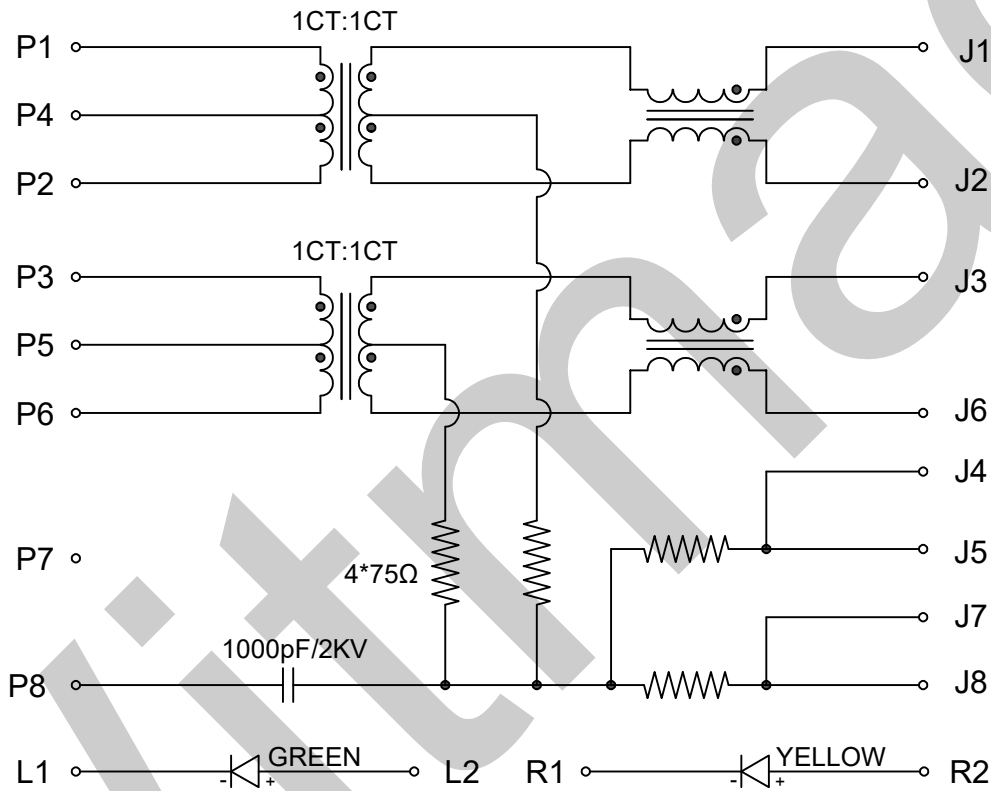
WITMAG

SPECIFICATION FOR APPROVAL

CUSTOMER PART NO: WITMAG PART NO:RJ-101E02 PART NAME:RJ45 ICM(10/100M Base-T 1port)	Rev.:A
	 ROHS

Circuit Schematic and Electrical Specifications

◆ Circuit Schematic



◆ Electrical Specifications

Turn Ratio	TX:RX=1:1±5%		
Primary Inductance (100KHz 0.1V 8mA DC Bias)	350μH MIN		
DC Resistance	1.5Ω MAX		
Insertion Loss	1-100MHz		
	-1.2 dB MAX		
Return Loss (100Ω±15Ω)	1-30MHz	30-60MHz	60-80MHz
	-14 dB MIN	-12 dB MIN	-10 dB MIN
Cross talk	1-100MHz		
	-30 dB MIN		
Common Mode Rejection	1-100MHz		
	-30 dB MIN		
Isolation Voltage	1800VDC @1mA for 2 sec		

WITMAG

SPECIFICATION FOR APPROVAL

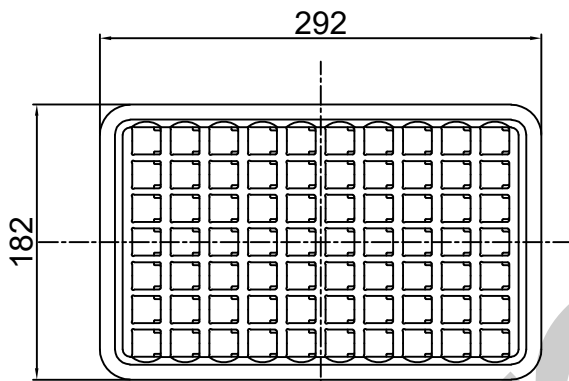
CUSTOMER PART NO:
WITMAG PART NO:RJ-101E02
PART NAME:RJ45 ICM(10/100M Base-T 1port)

Rev.:A

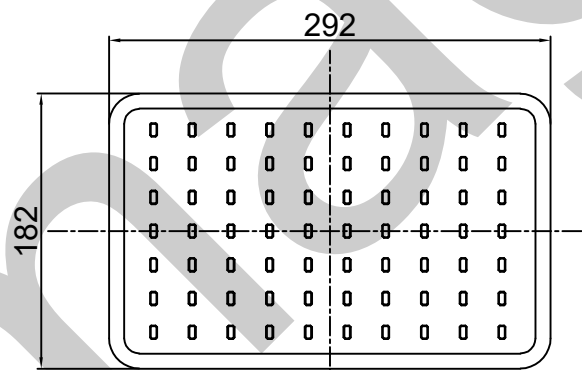


Peaking

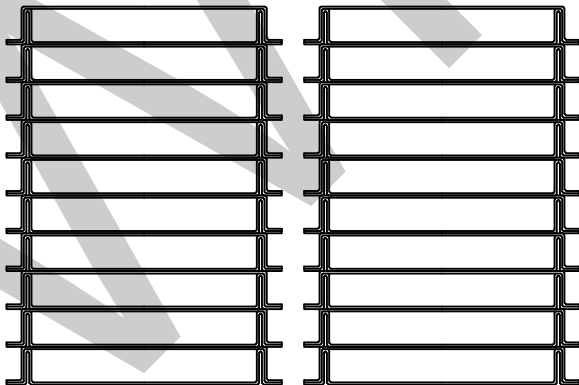
◆ Peaking



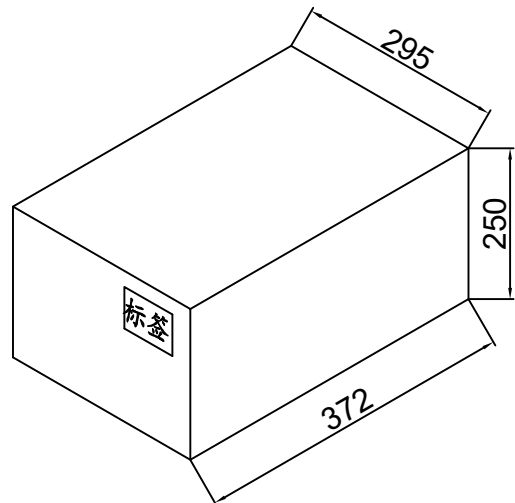
吸塑盘
每盘装产品7*10=70 (PCS)



吸塑盘盖
每吸塑盘盖一个吸塑盘盖



每箱产品数量
70 (PCS) * 20 (盘) = 1400 (PCS)



箱子规格