

# WitJack 1X2 RJ-10201A(ROHS)

# Witmag

TEL: +86 755 36921672 FAX: +86 755 29454863  
 Http://www.witmag.com.cn Http://www.witmag.com.cn  
 E-mail:sales@witmag.com.cn

## Features

### Description:

- 10/100 Base-TX RJ45 1XN Tab-DOWN with or without LEDs integrated magnetics connector(ICM), designed to support applications, such as SOHO (ADSL modems), LAN-on-Motherboard(LOM), Hub and Switches.

### Features and Benefits:

- RJ45 1XN, Tab-DOWN 8-pin with internal magnetics
- Options: 1X2 for 10/100 Base-TX
- Available with or without LEDs
- Suitable for CAT 5 and 6 Fast Ethernet cable or better UTP
- Internal magnetics are 100% electrically tested for HI-POT and functionality

### Electrical Performance Summary:

- Internal magnetics options available
- Meets or exceeds IEEE 802.3ab standard for 10/100Base-T
- 350 uH minimum OCL with 8 mA bias current
- High performance for maximum EMI suppression
- Minimum 1800 VDC isolation per IEEE 802.3 requirement

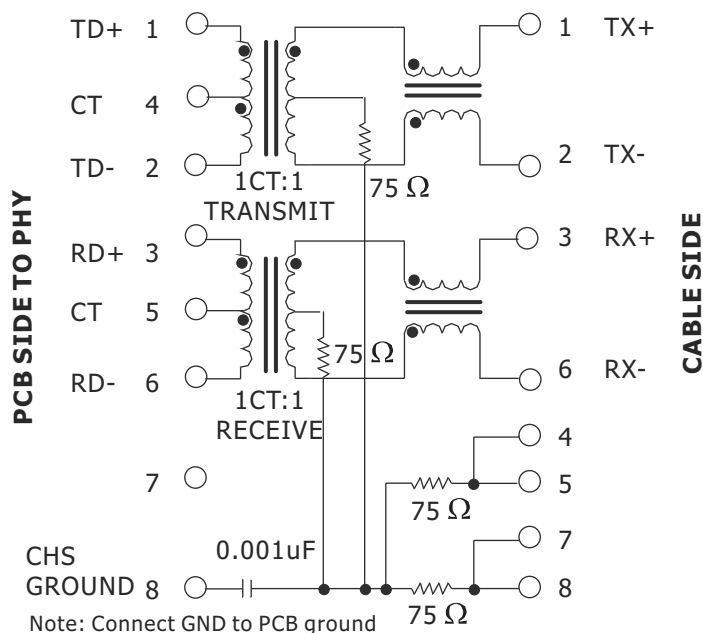
## SPEC

Electrical Specifications @25°C - Operating Temperature 0°C to 70°C

Part Number	Turns Ratio		EMI Fingers	LEDs L/R	Insertion Loss (dB TYP)	Return Loss (dB TYP)		Crosstalk (dB TYP)			Common Mode Rejection (dB TYP)		Hipot (Vrms)	
	TX	RX				100 MHz	1-10 MHz	30 MHz	60-80 MHz	1-10 MHz	30-60 MHz	60-100 MHz		1-50 MHz
RJ-10201A	1CT:1CT	1CT:1CT	N/A	N/A	-1.0	-20	-16	-12	-40	-35	-30	-30	-20	1800DC

- NOTE: 1. Both transmit and receive channels meet IEEE 802.3 specifications  
 2. Different electrical and mechanical specifications can be accommodated  
 3. LEDs Left/Right: G=green, Y=yellow, '-'=none, Other LED options by request

## Schematic

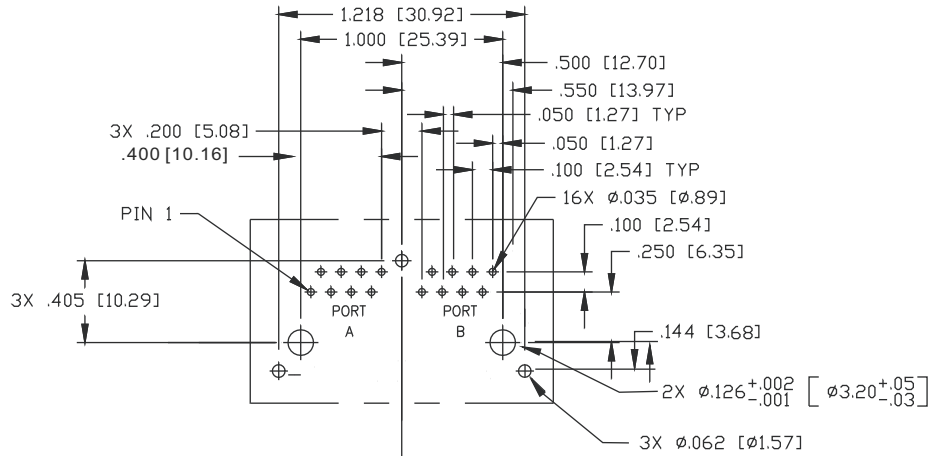
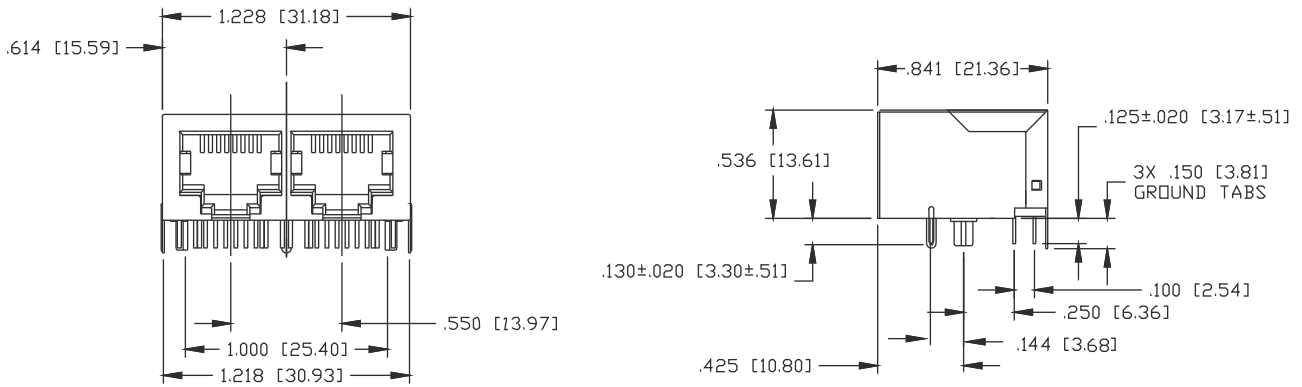


**WitJack**  
**1X2**  
**RJ-10201A(ROHS)**

**Mechanicals**

**Witmag**

TEL: +86 755 36921672 FAX: +86 755 29454863  
 Http://www.witmag.com.cn Http://www.witmag.cn  
 E-mail:sales@witmag.com.cn



SUGGESTED PC BOARD LAYOUT VIEWED FROM COMPONENT SIDE  
 PCB LAYOUT DIMENSIONS TO BE ±.003 UNLESS OTHERWISE SPECIFIED