

# WitJack Gigabit T12 RJ-101C10B

# Witmag

TEL: +86 755 36921672 FAX: +86 755 29454863  
 Http://www.witmag.com.cn Http://www.witmag.cn  
 E-mail:sales@witmag.com.cn

## Features

### Description:

- ◆ 10/100/1000 Base-TX RJ45 single port(1X1) Tab-UP with or without LEDs integrated magnetics connector (ICM), designed to support applications, such as Network Interface Cards (NIC), LAN-on Motherboard (LOM), and PC applications.

### Features and Benefites:

- ◆ Single port Tab-UP with internal magnetics for 10/100/1000 Base-TX
- ◆ Available with or without LEDs
- ◆ Suitable for CAT 5 and 6 Fast Ethernet cable or better UTP
- ◆ Internal magnetics are 100% electrically tested for HI-POT and functionality

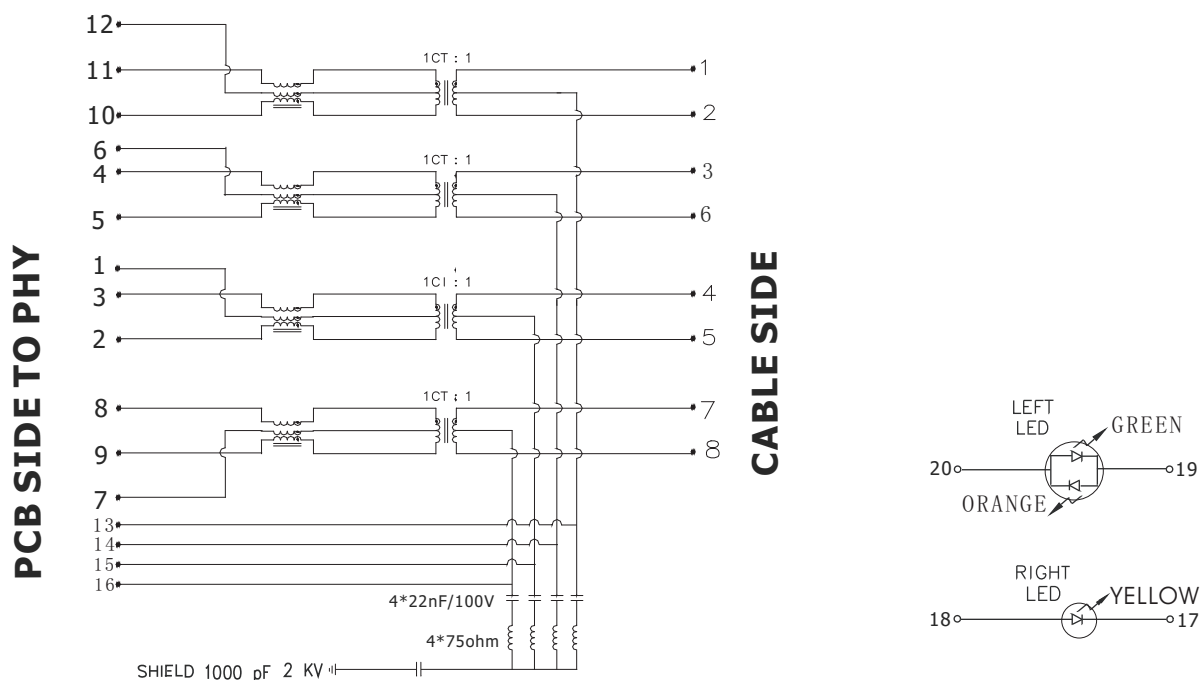
### Electrical Performance Summary:

- ◆ Internal magnetics options available
- ◆ Meets or exceeds IEEE 802.3ab standard for 1000Base-T
- ◆ 350 uH minimum OCL with 8 mA bias current
- ◆ High performance for maximum EMI suppression
- ◆ Minimum 1500 Vrms isolation per IEEE 802.3 requirment
- ◆ DC CURRENT/VOLTAGE RATING-PSE PINS: 720mA @57V(CONTINUOUS)

SPEC		Electrical Specifications @25°C - Operating Temperature 0°C to 70°C													
Part Number	Tab Option	LEDs L/R	Insertion Loss TX/RX (dB TYP)				Return Loss (dB MIN)			Crosstalk (dB TYP)			Common Mode Rejection (dB TYP)		Hipot (Vrms) @60 Hz
			1~100 MHz	1~10 MHz	30 MHz	60~80 MHz	100 Ω	1 5 Ω	1~10 MHz	32~65 MHz	65~100 MHz	1~125 MHz	125~500 MHz		
RJ-101C10B	UP	G&O/Y	-1.0	-20	-16	-12	-40	-35	-30	-30	-20	1500			

NOTE: 1. Both transmit and receive channels meet IEEE 802.3 specifications  
 2. Different electrical and mechanical specifications can be accommodated  
 3. LEDs Left/Right: G=green, Y=yellow, Y-G=Bicolor

## Schematics

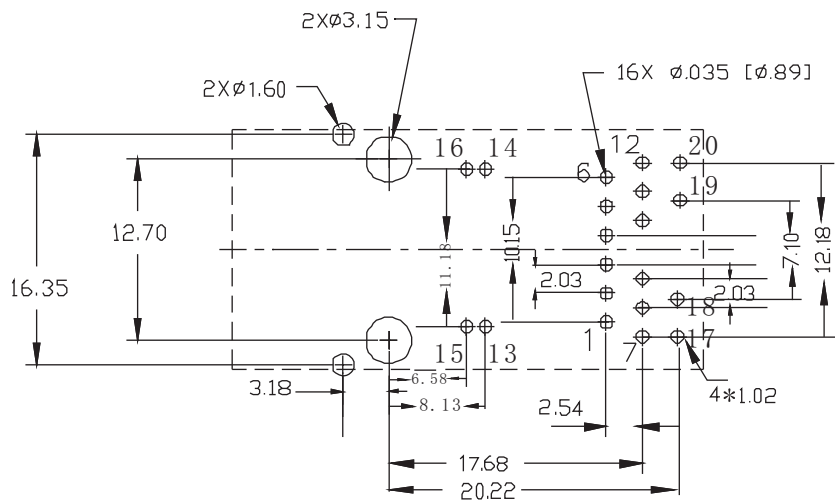
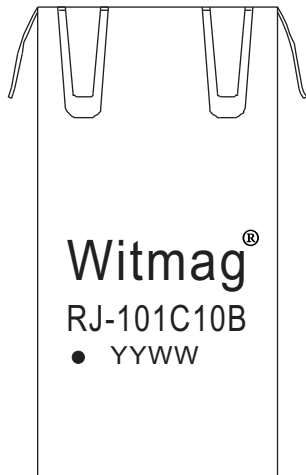
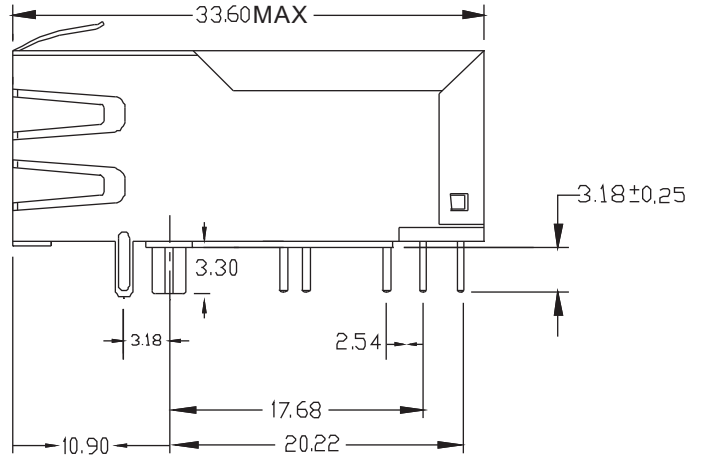
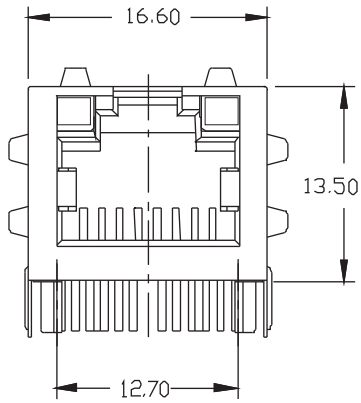


**WitJack  
Gigabit T12  
RJ-101C10B**

**Mechanicals**

**Witmag**

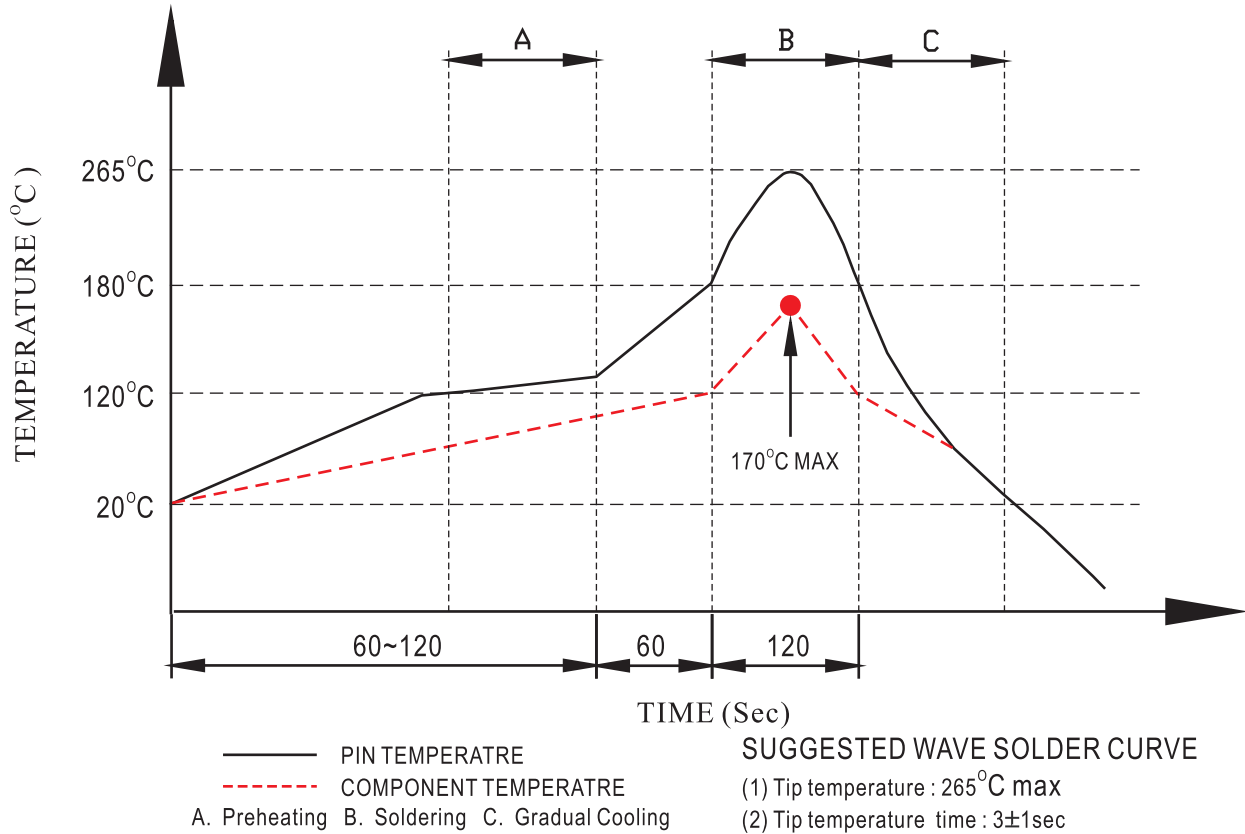
TEL: +86 755 36921672 FAX: +86 755 29454863  
 Http://www.witmag.com.cn Http://www.witmag.cn  
 E-mail:sales@witmag.com.cn



SUGGESTED PCB BOARD LAYOUT VIEWED FROM COMPONENT SIDE  
 PCB LAYOUT DIMENSIONS TO BE ±0.03 UNLESS OTHERWISE SPI

ALL DIMENSION TOLERANCD ARE +0.25mm  
 UNLESS OTHERWISE SPECIFIED

**Profile of wave solder**



\*The melting point of Sn99.3/Cu0.7

**REQUIREMENTS**

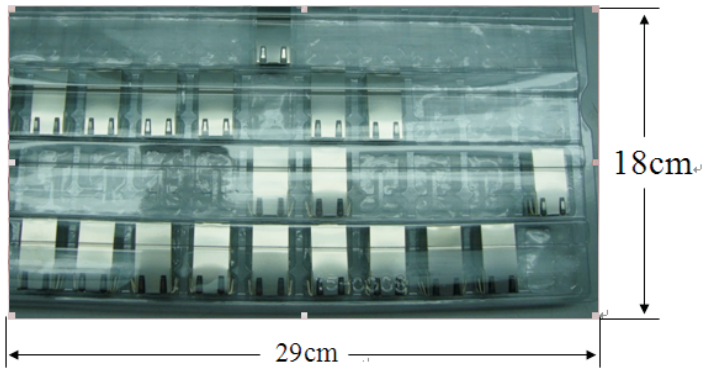
- ◆ Material
  - ◇ Terminal Parts(Underphating:30u" min. Nickel overall)
    - RJ Terminal: PH. Bronze, Thickness=0.3mm, Finish: Contact Area: 6u" Gold
    - Input Terminal: Brass, Thickness=0.35mm, Finish: 100u" min. Mt. Tin
    - Case Terminal: Brass, Thickness=0.3mm, Finish: 100u" min. Tin
  - ◇ Plastic Parts<UL94V-0>
    - Housing: Thermoplastic, Black
    - Case: Thermoplastic, Black
    - Spacer: Thermoplastic, Black
    - Light Pipe: Thermoplastic, Black
  - ◇ Shield Parts
    - Front Shield: Stainless, Thickness=0.2mm, unplating
    - Back Shield: Stainless, Thickness=0.2mm, Pre-soldering
- ◆ Operating and Storage Temperature
  - Operating Temperature: 0°C to +70°C
  - Storage Temperature: -40°C to +85°C
- ◆ RJ45 Specifications
  - Insulation Resistance 500MΩmin
  - Insertion force with the latch depressed 22N max
  - Removal force with the latch depressed 44N max
  - Locking Force of Plug Latch: 50N min. @60±5 sec
  - Durability: 750 cycles MIN

WitJack  
Gigabit T12  
RJ-101C10B

Packing

Witmag

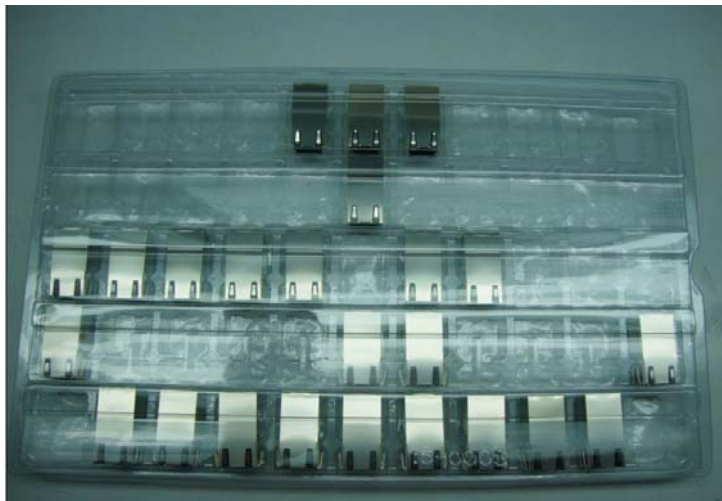
TEL: +86 755 36921672 FAX: +86 755 29454863  
Http://www.witmag.com.cn Http://www.witmag.cn  
E-mail:sales@witmag.com.cn



吸塑盘  
每盘装产品40 PCS



吸塑盖  
每盘装好的产品上  
盖一个吸塑盖



每箱:  $40 * 20 = 800$ PCS



每箱右上角贴标签