

WitJack 2x1 Rj45 RJ-201B01

Witmag

TEL: +86 755 36921672 FAX: +86 755 29454863
 Http://www.witmag.com.cn Http://www.witmag.cn
 E-mail:sales@witmag.com.cn

Features

Description:

- 10/100/1000Base-TX RJ45 2X1 with LEDs 7pin(J0 series) integrated magnetics connector(ICM), designed to support applications, such as SOHO (ADSL modems), LAN-on-Motherboard(LOM), Hub and Switches.

Features and Benefits:

- 1X1 Rj45 with internal magnetics
- Suitable for CAT 5 & 6 Fast Ethernet Cable or better UTP
- Internal magnetics are 100% electrically tested for HI-POT and functionality

Electrical Performance Summary:

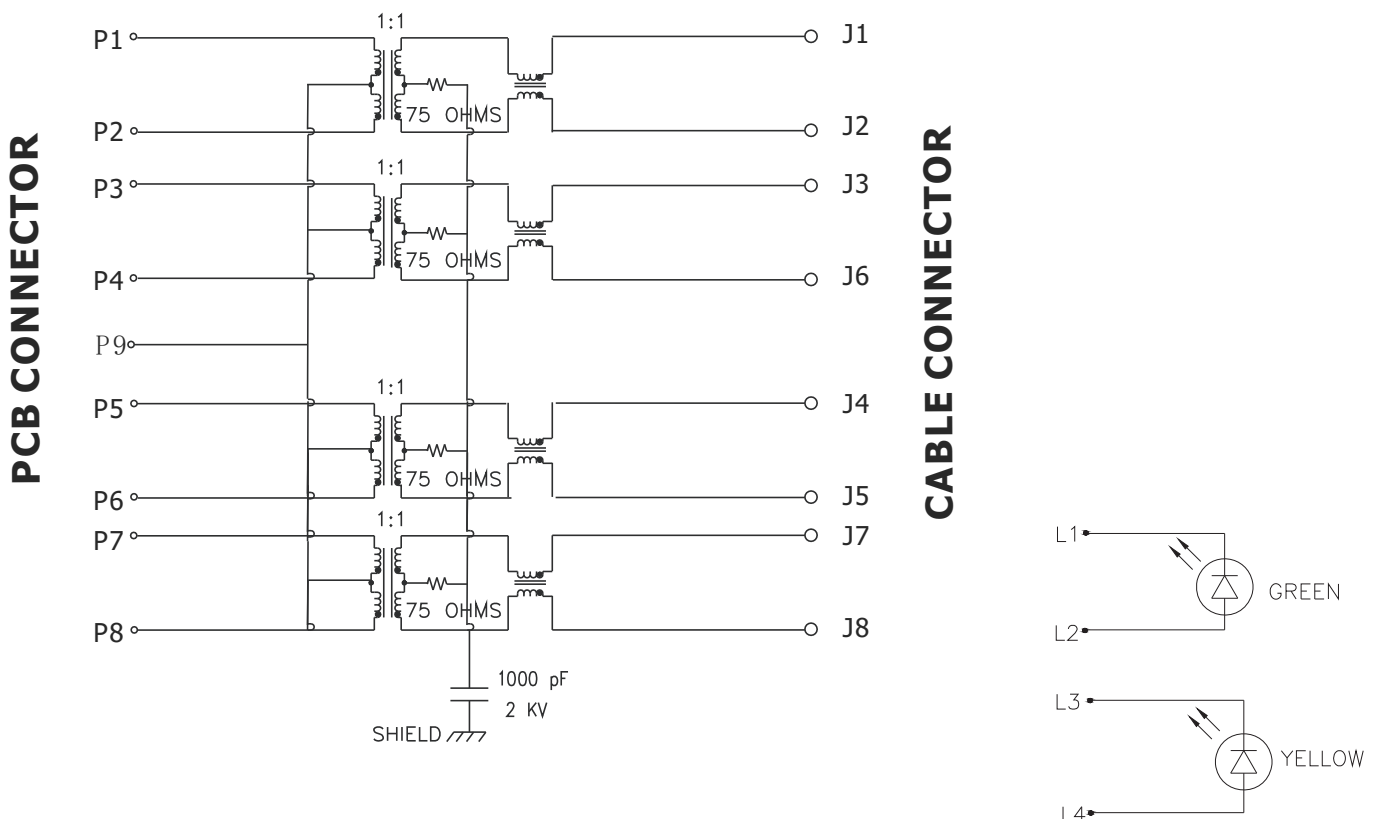
- Internal magnetics options available
- Meets or exceeds IEEE 802.3 standard for 1000Base-T
- 350 uH minimum OCL with 8 mA bias current
- High performance for maximum EMI suppression
- Minimum 1500 Vrms isolation per IEEE 802.3 requirement

SPEC

Electrical Specifications @25°C - Operating Temperature 0°C to 70°C

Part Number	Turns Ratio		EMI Fingers	LEDs L/R	Insertion Loss (dB TYP)					Return Loss (dB TYP)			Crosstalk (dB TYP)			Common Mode Rejection (dB TYP)		Hipot (Vrms) @50 Hz
	TX	RX			1-65 MHz	1-10 MHz	10-30 MHz	30-60 MHz	60-80 MHz	1-30 MHz	30-60 MHz	60-100 MHz	1-50 MHz	50-150 MHz				
RJ-201B01	1CT:1	1CT:1	YES	Y/G	-1	-20	-16	-12	-10	-40	-35	-30	-30	-20	1500			

Schematics

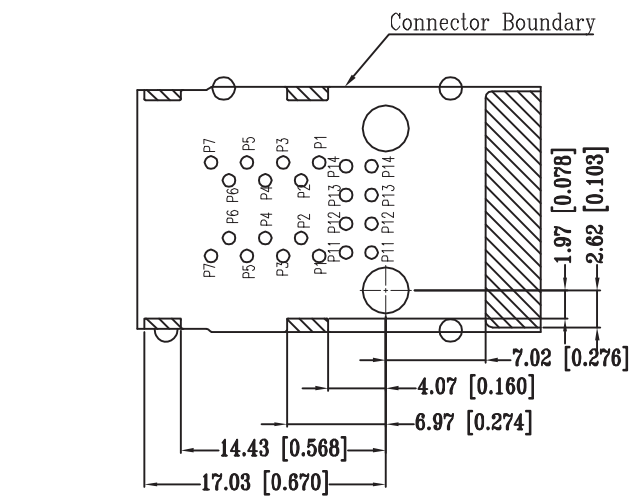
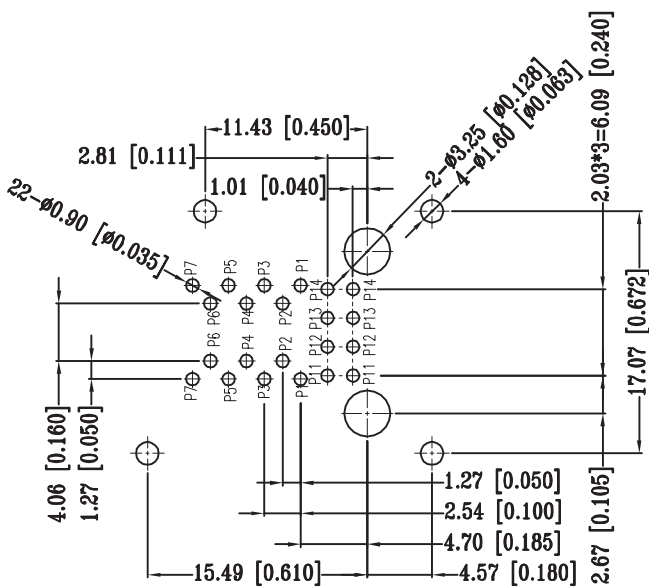
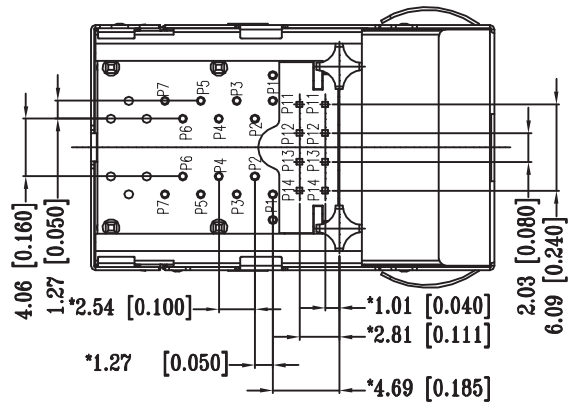
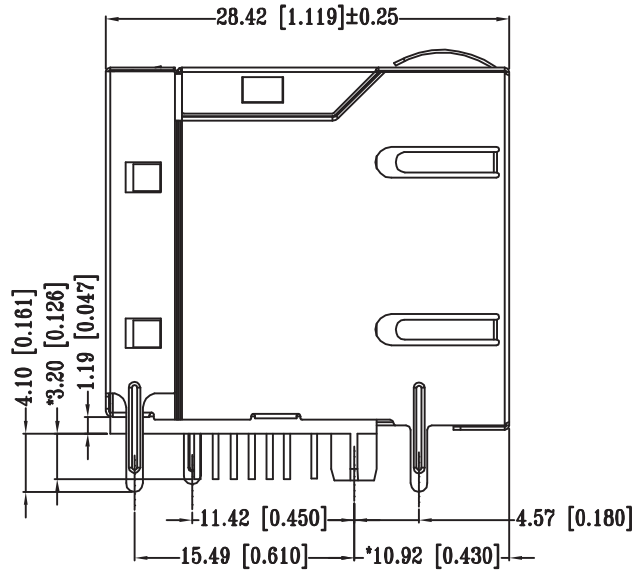
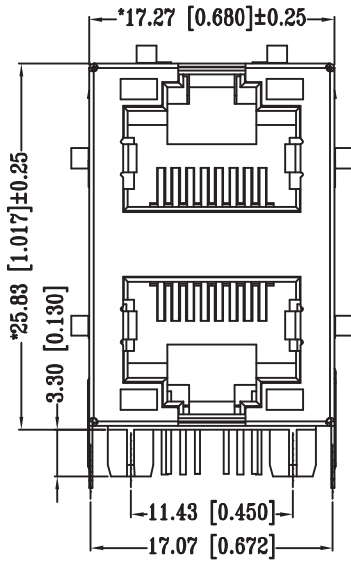


WitJack
2x1 Rj45
RJ-201B01

Mechanicals

Witmag

TEL: +86 755 36921672 FAX: +86 755 29454863
 Http://www.witmag.com.cn Http://www.witmag.cn
 E-mail:sales@witmag.com.cn



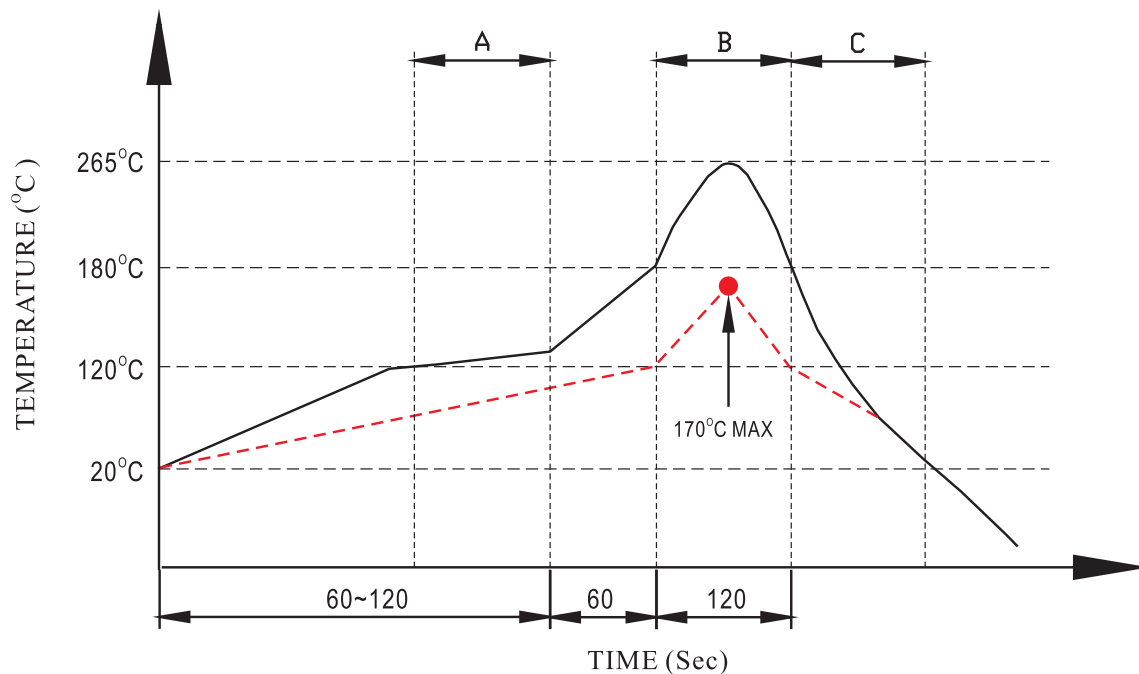
Keep-Out Area (Component Side View):

Recommended PWB Layout (Component Side View):

TOLERANCES UNLESS OTHERWISE SPECIFIED:

0~0.393_{-0.004} , 0.393~0.787_{+0.006}
 0~10.00_{-0.100} , 10.00~20.00_{-0.150}

Profile of wave solder



— PIN TEMPERATURE
 - - - COMPONENT TEMPERATURE
 A. Preheating B. Soldering C. Gradual Cooling

SUGGESTED WAVE SOLDER CURVE
 (1) Tip temperature : 265°C max
 (2) Tip temperature time : 3±1sec

*The melting point of Sn99.3/Cu0.7

Profile of wave solder

◆ **Design and Construction**

- ✧ **Product shall be of design, construction and physical dimensions specified on applicable.**

◆ **Material**

- ✧ **Terminal Parts(Underphating:30u" min. Nickel overall)**

- **RJ Terminal: PH Bronze, Thickness=0.3mm, Finish: Contact Area: 6u" Gold**
- **Input Terminal: Brass, Thickness=0.35mm, Finish: 100u" min. Mt. Tin**
- **Case Terminal: Brass, Thickness=0.3mm, Finish: 100u" min. Tin**

- ✧ **Plastic Parts<UL94V-0>**

- **Housing: Thermoplastic, Black**
- **Case: Thermoplastic, Black**
- **Spacer: Thermoplastic, Black**
- **Light Pipe: Thermoplastic, Black**

- ✧ **Shield Parts**

- **Front Shield: Stainless, Thickness=0.2mm, unplating**
- **Back Shield: Stainless, Thickness=0.2mm, Pre-soldering**

◆ **Operating and Storage Temperature**

- **Operating Temperature: 0°C to +70°C**
- **Storage Temperature: -40°C to +85°C**

◆ **RJ45 Specifications**

- **Insulation Resistance 500M Ωmin**
- **Insertion force with the latch depressed 22N max**
- **Removal force with the latch depressed 44N max**
- **Locking Force of Plug Latch: 50N min. @60 5 sec**
- **Durability: 2500 cycles**

◆ **Performance and Test Description**

- **Product is designed to meet electrical, mechanical and environmental performance requirements specified in below table. All tests are performed at ambient environmental conditions per MIL-STD-1344A and EIA-364 unless otherwise specified.**

◆ **Packaging and Packing**

- **All parts shall be packaged and packed to protect against physical damage, corrosion and deterioration during shipment and storage.**