

# WitJack

## 1X1 Tab-UP RJ45

### RJ-101D80B

# Witmag

TEL: +86 755 36921672 FAX: +86 755 29454863  
 Http://www.witmag.com.cn Http://www.witmag.cn  
 E-mail:sales@witmag.com.cn

### Features

#### Description:

- ◆ 10/100/1000 Base-TX RJ45 1X1 Tab-UP with LEDs 8-pin integrated magnetics connector(ICM), designed to support applications, such as SOHO (ADSL modems), LAN-on-Motherboard(LOM), Hub and Switches.

#### Features and Benefits:

- ◆ 1X1 Tab-UP RJ45 with internal magnetics
- ◆ Suitable for CAT 5 & 6 Fast Ethernet Cable or better UTP
- ◆ Internal magnetics are 100% electrically tested for HI-POT and functionality

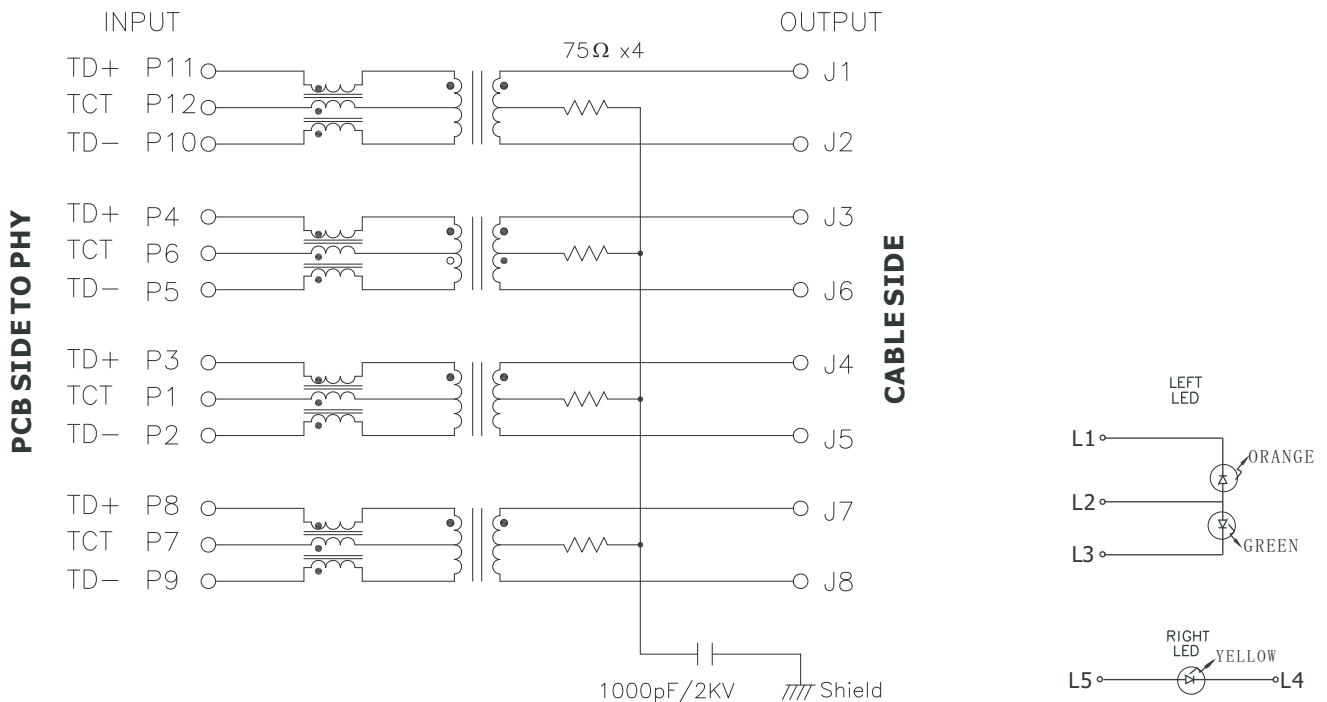
#### Electrical Performance Summary:

- ◆ Internal magnetics options available
- ◆ Meets or exceeds IEEE 802.3 standard for 1000Base-T
- ◆ 350 uH minimum OCL with 8 mA bias current
- ◆ High performance for maximum EMI suppression
- ◆ Minimum 1500 Vrms isolation per IEEE 802.3 requirement

SPEC		Electrical Specifications @25°C - Operating Temperature 0°C to 70°C															
Part Number	EMI Fingers	Turns Ratios		LEDs L/R	Insertion Loss (dB MAX)				Return Loss (dB TYP)				Crosstalk (dB MIN)			Common Mode Rejection (dB TYP)	Hipot (Vrms MIN)
		TX	RX		1~80 MHz	1~10 MHz	30 MHz	60~80 MHz	1~10 MHz	32~60 MHz	60~100 MHz	1~50 MHz	50~130 MHz	@60 Hz			
RJ-101D80B	YES	1CT:1CT	1CT:1CT	G&O/Y	-1.0	-20	-16	-12	-40	-35	-30	-30	-20	1500			

NOTE: 1. Both transmit and receive channels meet IEEE 802.3 specifications  
 2. Different electrical and mechanical specifications can be accommodated  
 3. LEDs Left/Right: G=green, Y=Yellow,

### Schematics

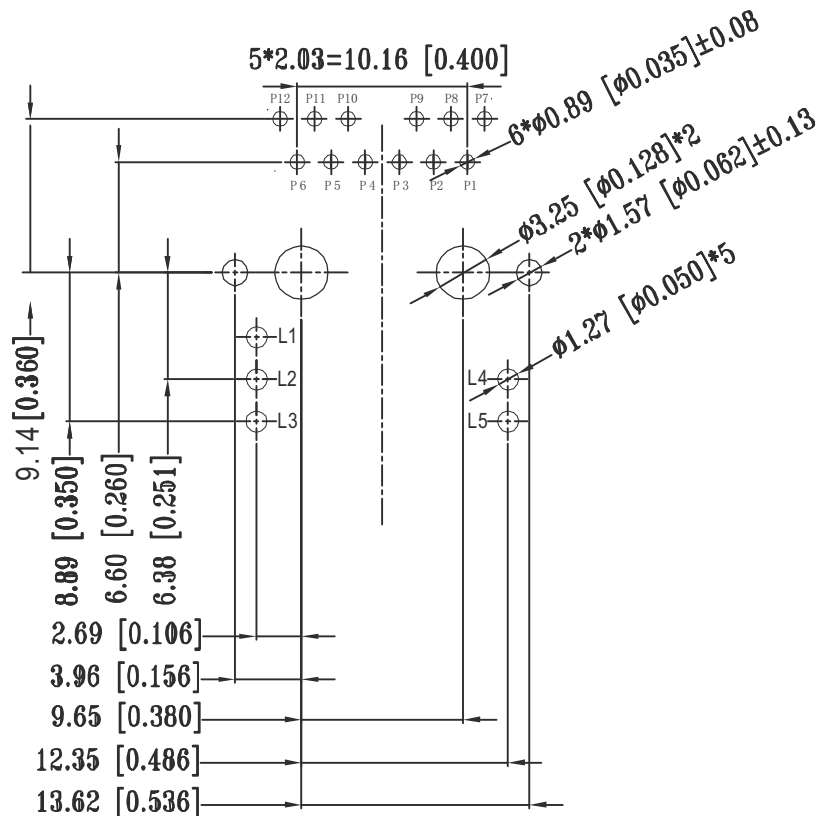
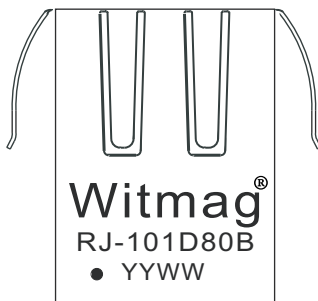
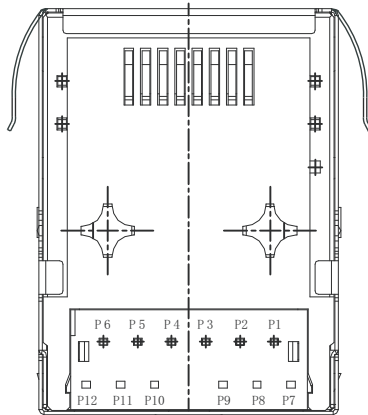
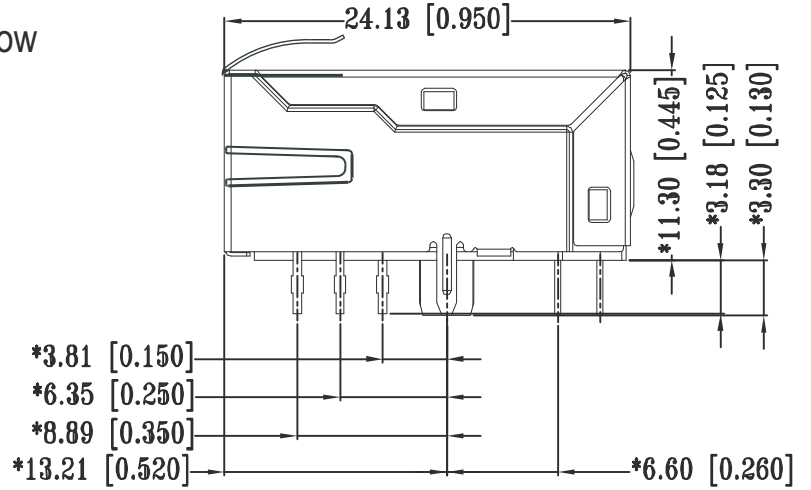
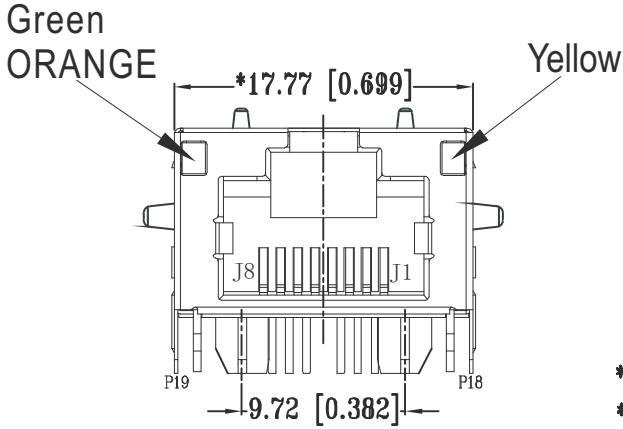


**WitJack**  
**1X1 Tab-UP RJ45**  
**RJ-101D80B**

**Mechanicals**

**Witmag**

TEL: +86 755 36921672 FAX: +86 755 29454863  
 Http: //www.witmag.com.cn Http: //www.witmag.cn  
 E-mail:sales@witmag.com.cn



ALL ENTERLINE DIMENSIONS RE ASIC

P.C.B RECOMMENDED HOLE LAYOUT SEEN FROM COMPONENT SIDE.

C D A B

ALL TOLERANCES NOT OTHERWISE SPECIFIED TO BE  $\pm$ 0.25mm

**REQUIREMENTS**

**Design and Construction**

Product shall be of design, construction and physical dimensions specified on applicable.

**Material**

**Terminal Parts(Underphating:30u" min. Nickel overall)**

**RJ Terminal: PH. Bronze, Thickness=0.3mm, Finish: Contact Area: 6u" Gold**

**Input Terminal: Brass, Thickness=0.35mm, Finish: 100u" min. Mt. Tin**

**Case Terminal: Brass, Thickness=0.3mm, Finish: 100u" min. Tin**

**Plastic Parts<UL94V-0>**

**Housing: Thermoplastic, Black**

**Case: Thermoplastic, Black**

**Spacer: Thermoplastic, Black**

**Light Pipe: Thermoplastic, Black**

**Shield Parts**

**Front Shield: Stainless, Thickness=0.2mm, unplating**

**Back Shield: Stainless, Thickness=0.2mm, Pre-soldering**

**Operating and Storage Temperature**

**Operating Temperature: 0°C to +70°C**

**Storage Temperature: -40°C to +85°C**

**RJ45 Specifications**

**Insulation Resistance 500MΩmin**

**Insertion force with the latch depressed 22N max**

**Removal force with the latch depressed 44N max**

**Locking Force of Plug Latch: 50N min. @60±5 sec**

**Durability: 2500 cycles**

**Performance and Test Description**

Product is designed to meet electrical, mechanical and environmental performance requirements specified in below table. All tests are performed at ambient environmental conditions per MIL-STD-1344A and EIA-364 unless otherwise specified.

**Packaging and Packing**

All parts shall be packaged and packed to protect against physical damage, corrosion and deterioration during shipment and storage.